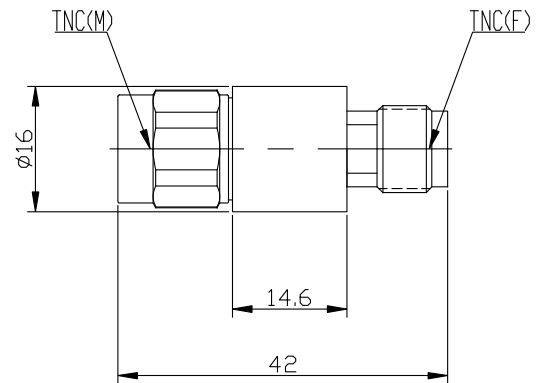


Coaxial fixed attenuators are used in absorbing energy of transmission line, expanding power range and controlling power level, they are also used in accurately measuring power or spectrum of RF microwave transmitters accompany with small power meter, comprehensive tester or spectrum analyzer.

TNC serial coaxial fixed attenuators' average power 2-200W, frequency range from DC-18GHz and feature wide frequency band, low VSWR, flatness attenuation value and excellent capacity in anti-pulse and anti-burnout etc.



MECHANICAL SPECIFICATIONS	
Connectors	Brass Nickel Plated
Male Pin	Brass Gold Plated
Female Pin	Beryllium Copper Gold Plated
Housing	Aluminum
Temp Range	-55° C ~ +85° C
Dimensions	Ø16×42mm
Weight	25g

RoHS Compliant: Yes

ELECTRICAL SPECIFICATIONS

Model Number	Frequency Range(GHz)	Attenuation Value & Accuracy (dB)				Max VSWR
		1-9	10	20	30	
SAT26B05XX04	DC-4	±0.3	±0.3	±0.3	±0.3	1.15
SAT26B05XX08	DC-8	-0.3/+0.6	-0.3/+0.6	-0.3/+0.6	-0.3/+0.6	1.20
SAT26B05XX12	DC-12.4	-0.3/+0.6	-0.3/+0.6	-0.3/+0.6	-0.3/+0.6	1.25
SAT26B05XX18	DC-18	-0.3/+0.8	-0.3/+0.8	-0.3/+0.8	-0.3/+0.8	1.35

Note: XX refer to attenuation value in dB

NOMINAL IMPEDANCE: 50Ω

AVERAGE POWER: 5W average to 25°C ambient temperature, derated linearly to 0.2W @ 125°C.

PEAK POWER: 0.5KW (5μs pulse width with 1% duty cycle)

CONNECTOR TYPE: TNC

Notes:

1. Dimensions Tolerance ±5%
2. Custom designs available for other special attenuation value & accuracy.