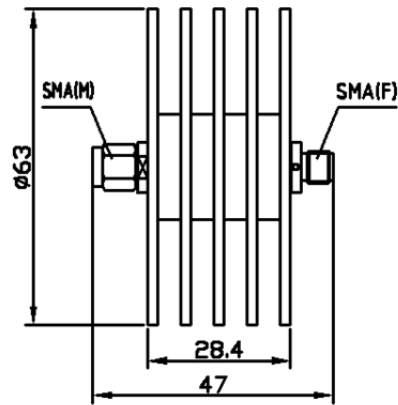


Coaxial fixed attenuators are used in absorbing energy of transmission line, expanding power range and controlling power level, they are also used in accurately measuring power or spectrum of RF microwave transmitters accompany with small power meter, comprehensive tester or spectrum analyzer.

SMA serial coaxial fixed attenuators' average power 25W, frequency range DC-26.5GHz and feature wide frequency band, low VSWR, flatness attenuation value, excellent capacity in anti-pulse and anti-burnout.



MECHANICAL SPECIFICATIONS	
Connectors	Brass Nickel Plated
Male Pin	Brass Gold Plated
Female Pin	Beryllium Copper Gold Plated
Housing	Aluminum, Black Anodize
Temp Range	-55° C ~ +125° C
Dimensions	Ø63×47mm
Weight	115g

RoHS Compliant: Yes

ELECTRICAL SPECIFICATIONS

Model Number	Frequency Range(GHz)	Attenuation Value & Accuracy (dB)				Max VSWR
		10	20	30	40	
SAT18B25XX08	DC-8	±0.4	±0.5	±0.5	±0.5	1.20
SAT18B25XX12	DC-12.4	±0.5	±0.8	±0.8	±0.8	1.25
SAT18B25XX18	DC-18	±1.0	±1.0	±1.0	±1.0	1.30
SAT18B25XX26	DC-26.5	±1.2	±1.2	±1.2	±1.2	1.35

Note: XX refer to attenuation value in dB

NOMINAL IMPEDANCE: 50Ω

AVERAGE POWER: 25W average to 25°C ambient temperature, derated linearly to 2.5W @ 125°C

PEAK POWER: 0.5KW (5μs pulse width with 5% duty cycle)

CONNECTOR TYPE: SMA

Notes:

1. Dimensions Tolerance ±5%
2. Custom designs available for other special attenuation value & accuracy