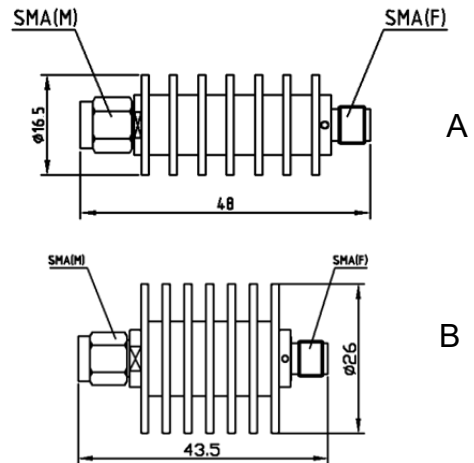
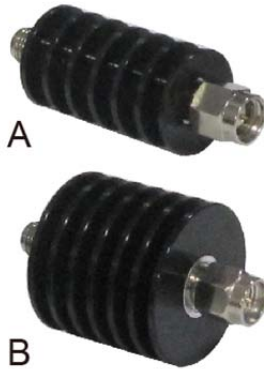


Coaxial fixed attenuators are used in absorbing energy of transmission line, expanding power range and controlling power level, they are also used in accurately measuring power or spectrum of RF microwave transmitters accompany with small power meter, comprehensive tester or spectrum analyzer.

SMA coaxial fixed attenuators' average power 10W, frequency range from DC-26.5GHz and feature wide frequency band, low VSWR, flatness attenuation value and excellent capacity in anti-pulse and anti-burnout etc.



MECHANICAL SPECIFICATIONS	
Connectors	Brass Nickel Plated
Male Pin	Brass Gold Plated
Female Pin	Beryllium Copper Gold Plated
Housing	Aluminum, Black Anodize
Temp Range	-55°C ~ +125°C
Dimensions	A: $\phi 16.5 \times 48$ mm B: $\phi 26 \times 43.5$ mm
Weight	A: 15g; B: 20g

RoHS Compliant: Yes

ELECTRICAL SPECIFICATIONS

Model Number	Frequency Range(GHz)	Attenuation Value & Accuracy (dB)						Max VSWR
		3	6	10	20	30	40	
SAT18B10XX03	DC-3	±0.4	±0.4	±0.4	±0.4	±0.4	±0.5	1.15
SAT18B10XX04	DC-4	±0.4	±0.4	±0.4	±0.4	±0.4	±0.5	1.15
SAT18B10XX06	DC-6	±0.4	±0.4	±0.5	±0.5	±0.5	±0.6	1.20
SAT18B10XX08	DC-8	±0.4	±0.4	±0.5	±0.5	±0.5	±0.6	1.25
SAT18B10XX12	DC-12.4	±0.6	±0.6	±0.6	±0.6	±0.6	-0.6/+0.8	1.30
SAT18B10XX 18	DC-18	±0.8	±0.8	±1.0	±1.0	±1.0	-0.8/+1.2	1.30
SAT18B10XX26	DC-26.5	-0.5/+1.0	-0.5/+1.0	-0.5/+1.5	-0.5/+1.2	±1.2	±1.2	1.35

Note: XX refer to attenuation value in dB

NOMINAL IMPEDANCE: 50Ω

AVERAGE POWER: 10W average to 25°C ambient temperature, derated linearly to 1W @ 125°C

PEAK POWER: 0.5KW (5μs pulse width with 2% duty cycle)

CONNECTOR TYPE: SMA

Notes:

1. Dimensions Tolerance ±5%
2. Custom designs available for other special attenuation value & accuracy.