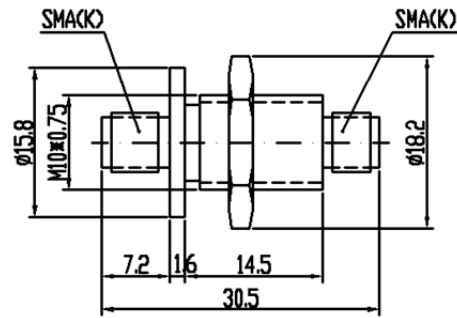


Coaxial fixed attenuators are used in absorbing energy of transmission line, expanding power range and controlling power level, they are also used in accurately measuring power or spectrum of RF microwave transmitters accompany with small power meter, comprehensive tester or spectrum analyzer.

SMA coaxial fixed attenuators' average power 2W, frequency range from DC-26.5GHz and feature wide frequency band, low VSWR, flatness attenuation value and excellent capacity in anti-pulse and anti-burnout etc.



MECHANICAL SPECIFICATIONS	
Connectors	Stainless Steel
Male Pin	Brass Gold Plated
Female Pin	Beryllium Copper Gold Plated
Temp Range	-55°C ~ +125°C
Dimensions	Ø18.2×30.5mm
Weight	12g

RoHS Compliant: Yes

ELECTRICAL SPECIFICATIONS

Model Number	Frequency Range(GHz)	Attenuation Value & Accuracy (dB)				Max VSWR
		1-9	10	20	30	
SAT18D02XX04KF	DC-4	±0.4	±0.4	±0.4	±0.4	1.15
SAT18D02XX08KF	DC-8	±0.4	±0.4	±0.5	±0.5	1.25
SAT18D02XX12KF	DC-12.4	-0.3/+0.5	±0.5	±0.5	±0.5	1.30
SAT18D02XX18KF	DC-18	-0.4/+0.9	±0.8	±0.8	±0.8	1.30
SAT18D02XX26KF	DC-26.5	±1.0	±1.0	±1.0	±1.0	1.35

Note: XX refer to attenuation value in dB

NOMINAL IMPEDANCE: 50Ω

AVERAGE POWER: 2W average to 25°C ambient temperature, derated linearly to 0.5W @ 125°C

PEAK POWER: 0.5KW (5μs pulse width with 0.4% duty cycle)

CONNECTOR TYPE: SMA

Notes:

1. Dimensions Tolerance ±5%
2. Custom designs available for other special attenuation value & accuracy.