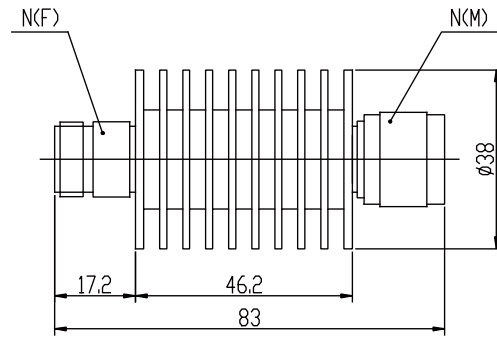


SAT27M10XX03LIM Low Intermodulation attenuators' average power is 10W frequency range is DC-3GHz. It provides a test terminal for intermodulation test and the passive Intermodulation of its own won't affect the result of measuring. And it can be also used in high precision test and measuring in amplifier.



MECHANICAL SPECIFICATIONS	
Connectors	Ternary Alloy
Male Pin	Brass Silver Plated
Female Pin	Beryllium Copper Silver Plated
Housing	Aluminum
Temp Range	-55°C~+125°C
Dimensions	Ø38×83mm
Weight	120g

RoHS Compliant: Yes

### ELECTRICAL SPECIFICATIONS

Model Number	Frequency Range(GHz)	Attenuation Value & Accuracy (dB)					MAX VSWR
		3	6	10	20	30	
SAT27M10XX03LIM	DC-3	±0.4	±0.4	±0.5	±0.6	±0.6	1.20

Note: XX refer to attenuation value in dB

### 3rd ORDER INTERMODULATION

Model Number	Two Input Signals	Reflected IM3
SAT27M10XX03LIM	935MHz & 960MHz	-120dBc@2×33dBm

**NOMINAL IMPEDANCE:** 50Ω

**AVERAGE POWER:** 10W average to 25°C ambient temperature, derated linearly to 0.5W @ 125°C

**PEAK POWER:** 1KW (5μs pulse width with 1% duty cycle)

**CONNECTOR TYPE:** N

### Notes:

1. Dimensions Tolerance ±5%
2. Custom designs available for other special attenuation value & accuracy.