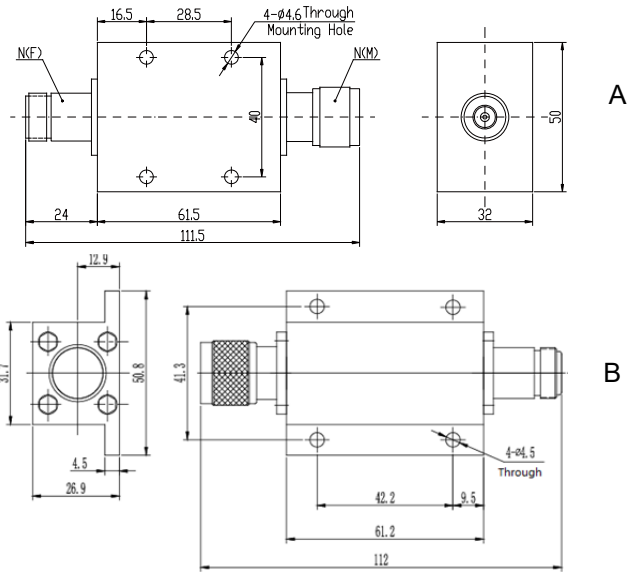
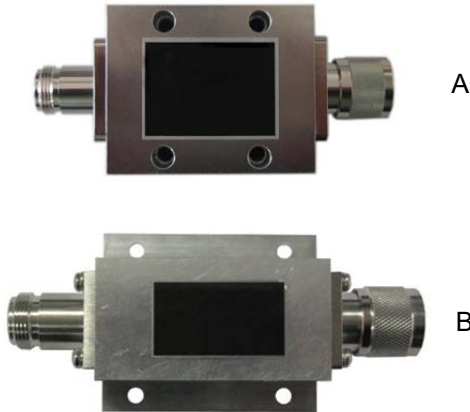


Inset attenuators are used in absorbing energy of transmission line, expanding power range and controlling power level, they are also used in accurately measuring power or spectrum of RF microwave transmitters accompany with small power meter, comprehensive tester or spectrum analyzer.

SAT27B50XXXWN serial Inset attenuators' average power from 50W-200W, frequency range from DC-10GHz.



| MECHANICAL SPECIFICATIONS | |
|---------------------------|--------------------------------------|
| Connectors | Brass Nickel Plated |
| Male Pin | Brass Gold Plated |
| Female Pin | Beryllium Copper Gold Plated |
| Housing | Aluminum |
| Temp Range | -55°C ~ +125°C |
| Dimensions | A:111.5×50×32mm B:112×50.8×26.9mm |
| Weight | A:500g; B:240g |

RoHS Compliant: Yes

ELECTRICAL SPECIFICATIONS

| Model Number | Frequency Range(GHz) | Attenuation Value & Accuracy (dB) | | | | Max VSWR |
|----------------|----------------------|-----------------------------------|------|------|----|----------|
| | | 10 | 20 | 30 | 40 | |
| SAT27B50XX04WN | DC-4 | ±0.3 | ±0.3 | ±0.3 | / | 1.20 |
| SAT27B50XX06WN | DC-8 | ±0.6 | ±0.6 | ±0.6 | / | 1.30 |
| SAT27B50XX08WN | DC-10 | ±0.8 | ±0.8 | ±0.8 | / | 1.35 |

Note: XX refer to attenuation value in dB

NOMINAL IMPEDANCE: 50Ω

AVERAGE POWER: 50W average to 25°C ambient temperature, derated linearly to 5W @ 125°C

PEAK POWER: 5KW (5μs pulse width with 1% duty cycle)

CONNECTOR TYPE: N

Notes:

1. Dimensions Tolerance ±5%
2. Custom designs available for other special attenuation value & accuracy.