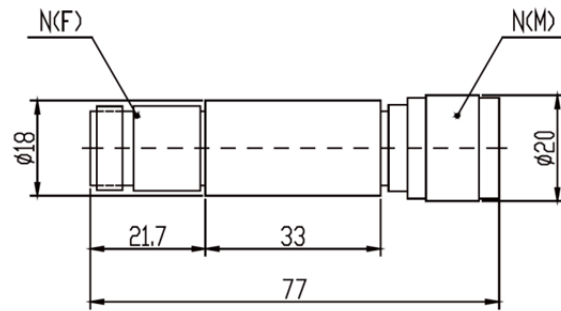


Coaxial fixed attenuators are used in absorbing energy of transmission line, expanding power range and controlling power level, they are also used in accurately measuring power or spectrum of RF microwave transmitters accompany with small power meter, comprehensive tester or spectrum analyzer.

N serial coaxial fixed attenuators' average power 5W, frequency range from DC-18GHz and feature wide frequency band, low VSWR, flatness attenuation value, excellent capacity in anti-pulse and anti-burnout.



MECHANICAL SPECIFICATIONS	
Connectors	Brass Nickel Plated
Male Pin	Brass Gold Plated
Female Pin	Beryllium Copper Gold Plated
Housing	Brass Nickel Plated
Temp Range	-55° C ~ +125° C
Dimensions	Ø20×77mm
Weight	80g

RoHS Compliant: Yes

## ELECTRICAL SPECIFICATIONS

Model Number	Frequency Range(GHz)	Attenuation Value & Accuracy (dB)					Max VSWR
		1-9	10	20	30	40	
SAT27B05XX08GA	DC-8	±0.5	±0.4	±0.4	±0.5	±0.6	1.30
SAT27B05XX12GA	DC-12.4	±0.7	±0.7	±0.7	±0.7	±0.75	1.35
SAT27B05XX18GA	DC-18	-0.6/+1.2	±1.0	±1.2	±1.2	±1.2	1.40

Note: XX refer to attenuation value in dB

**NOMINAL IMPEDANCE:** 50Ω

**AVERAGE POWER:** 5W average to 25°C ambient temperature, derated linearly to 0.5W @ 125°C.

**PEAK POWER:** 0.5KW (5μs pulse width with 1% duty cycle)

**CONNECTOR TYPE:** N

### Notes:

1. Dimensions Tolerance ±5%
2. Custom designs available for other special attenuation value & accuracy.