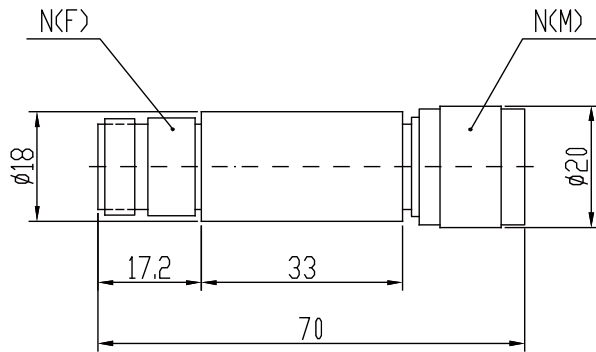


Coaxial fixed attenuators are used in absorbing energy of transmission line, expanding power range and controlling power level, they are also used in accurately measuring power or spectrum of RF microwave transmitters accompany with small power meter, comprehensive tester or spectrum analyzer.

SAT76B02XXXX coaxial fixed attenuators' average power 2W, frequency range from DC-3GHz and the features include wide frequency band, low VSWR, flatness attenuation value and excellent capacity in anti-pulse and anti-burnout etc.



| MECHANICAL SPECIFICATIONS | |
|---------------------------|------------------------------|
| Connectors | Brass Nickel Plated |
| Male Pin | Brass Gold Plated |
| Female Pin | Beryllium Copper Gold Plated |
| Housing | Aluminum |
| Temp Range | -55°C ~ +125°C |
| Dimensions | Ø20×70mm |
| Weight | 60g |

RoHS Compliant: Yes

ELECTRICAL SPECIFICATIONS

| Model Number | Frequency Range(GHz) | Attenuation Value & Accuracy (dB) | | | Max VSWR |
|--------------|----------------------|-----------------------------------|------|------|----------|
| | | 10 | 20 | 30 | |
| SAT76B02XX01 | DC-1 | ±0.4 | ±0.4 | ±0.4 | 1.15 |
| SAT76B02XX03 | DC-3 | ±0.4 | ±0.5 | ±0.6 | 1.25 |

Note: XX refer to attenuation value in dB

NOMINAL IMPEDANCE: 75Ω

AVERAGE POWER: 2W average to 25°C ambient temperature, derated linearly to 0.5W @ 125°C

PEAK POWER: 0.5KW (5μs pulse width with 0.4% duty cycle)

CONNECTOR TYPE: N

Notes:

1. Dimensions Tolerance ±5%
2. Custom designs available for other special attenuation value & accuracy.