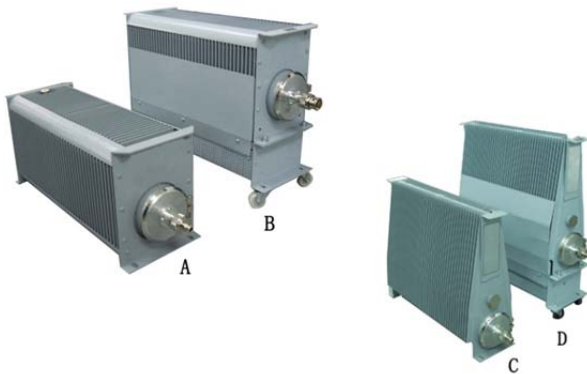
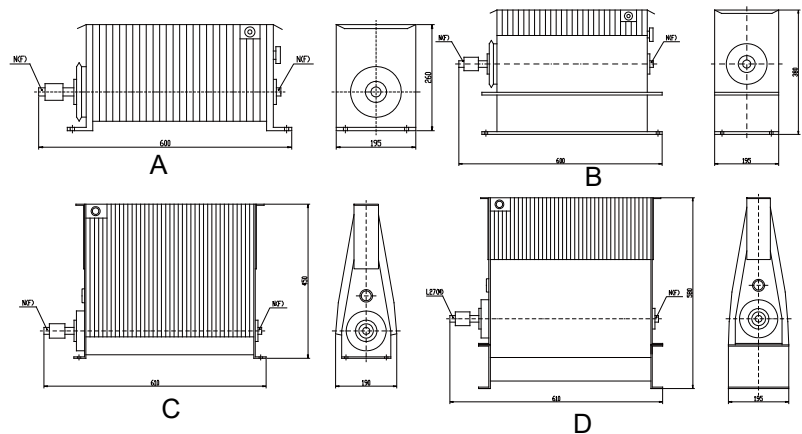


Coaxial fixed attenuators are used in absorbing energy of transmission line, expanding power range and controlling power level, they are also used in accurately measuring power or spectrum of RF microwave transmitters accompany with small power meter, comprehensive tester or spectrum analyzer.

N serial oil-cooled coaxial attenuators' average power 1W-10KW, frequency range DC-2GHz and feature wide frequency band, low VSWR, flatness attenuation value, excellent capacity in anti-pulse and anti-burnout.



MECHANICAL SPECIFICATIONS	
Connectors	Brass Nickel Plated
Male Pin	Brass Gold Plated
Female Pin	Beryllium Copper Gold Plated
Housing	Aluminum, Gray Powder Coat
Temp Range	-40°C ~ +45°C
Dimensions	A:600×195×260mm B:600×195×440mm(with fans) C:610×190×450mm D:610×195×580mm(with fans)
Weight	A:20Kg;B:23Kg;C:27Kg; D:30Kg

RoHS Compliant: Yes

ELECTRICAL SPECIFICATIONS

Model Number	Frequency Range(GHz)	Attenuation Value & Accuracy (dB)				Max VSWR
		20	30	40	50	
SAT27B2000XX02	DC-0.7	/	±1.0	±1.0	±1.0	1.20
	0.7-2	Attenuation Curve Available				1.30

Note: XX refer to attenuation value in dB, standard attenuation value is 30dB and other values combined by 30dB+small power attenuator

NOMINAL IMPEDANCE: 50Ω

AVERAGE POWER: 2000W

PEAK POWER: 50KW(1ms)

COOLING METHOD: oil-cooled+ forced draft

OPERATING POSITION: Horizontal only

CONNECTOR TYPE: N



replace the hex nut with exhaust valve before turning on, replace the exhaust valve with hex nut during transport.

Notes:

1. Dimensions Tolerance ±5%
2. Custom designs available for other special attenuation value & accuracy.