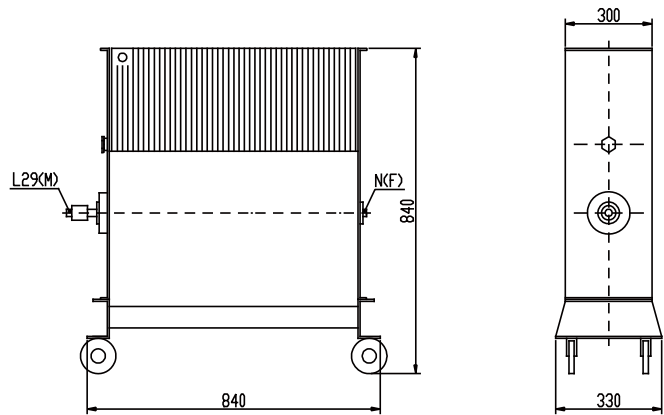


Coaxial fixed attenuators are used in absorbing energy of transmission line, expanding power range and controlling power level, they are also used in accurately measuring power or spectrum of RF microwave transmitters accompany with small power meter, comprehensive tester or spectrum analyzer.

N serial oil-cooled coaxial attenuators' average power 1W-10KW, frequency range DC-2GHz and feature wide frequency band, low VSWR, flatness attenuation value, excellent capacity in anti-pulse and anti-burnout.



| MECHANICAL SPECIFICATIONS |                              |
|---------------------------|------------------------------|
| Connectors                | Brass Nickel Plated          |
| Male Pin                  | Brass Gold Plated            |
| Female Pin                | Beryllium Copper Gold Plated |
| Housing                   | Aluminum, Gray Powder Coat   |
| Temp Range                | -40°C ~ +45°C                |
| Dimensions                | 840×330×840mm                |
| Weight                    | 100Kg                        |

RoHS Compliant: Yes

### ELECTRICAL SPECIFICATIONS

| Model Number   | Frequency Range(GHz) | Attenuation Value & Accuracy (dB) |      |      |      | Max VSWR |
|----------------|----------------------|-----------------------------------|------|------|------|----------|
|                |                      | 20                                | 30   | 40   | 50   |          |
| SAT27B4000XX01 | DC-0.5               | /                                 | ±1.0 | ±1.0 | ±1.0 | 1.25     |
|                | 0.5-1                | Attenuation Curve Available       |      |      |      | 1.40     |

Note: XX refer to attenuation value in dB, standard attenuation value is 30dB and other values combined by 30dB+small power attenuator

**NOMINAL IMPEDANCE:** 50Ω

**AVERAGE POWER:** 4000W

**PEAK POWER:** 100KW(10μs)

**COOLING METHOD:** oil-cooled+ forced draft

**OPERATING POSITION:** Horizontal only

**CONNECTOR TYPE:** N



**replace the hex nut with exhaust valve before turning on, replace the exhaust valve with hex nut during transport.**

#### Notes:

1. Dimensions Tolerance ±5%
2. Custom designs available for other special attenuation value & accuracy.