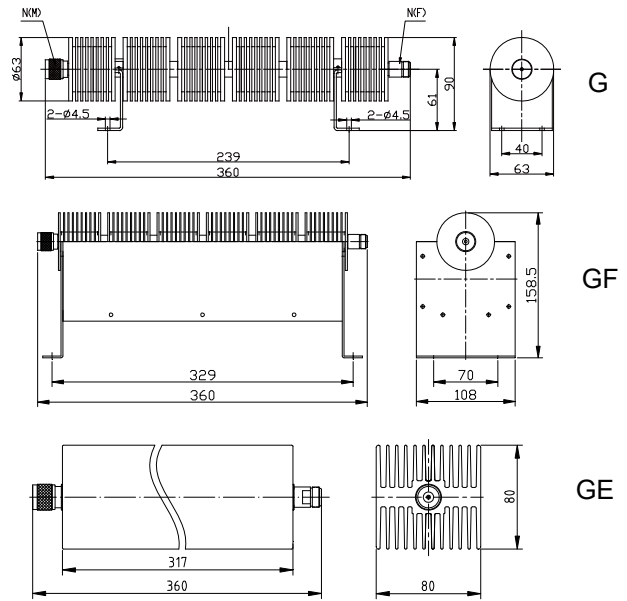


Coaxial fixed attenuators are used in absorbing energy of transmission line, expanding power range and controlling power level, they are also used in accurately measuring power or spectrum of RF microwave transmitters accompany with small power meter, comprehensive tester or spectrum analyzer.

N serial coaxial fixed attenuators' average power from 10W-10KW, frequency range from DC-26.5GHz and feature wide frequency band, low VSWR, flatness attenuation value, excellent capacity in anti-pulse and anti-burnout.



MECHANICAL SPECIFICATIONS	
Connectors	Brass Nickel Plated
Male Pin	Brass Gold Plated
Female Pin	Beryllium Copper Gold Plated
Housing	Aluminum, Black Anodize
Temp Range	-55° C ~ +125° C
Dimensions	G:360×63×90mm(with shelf) GF:360×108×158.5mm E:360×80×80mm
Weight	G:1.1Kg; GF:2.2Kg; GE:3Kg

RoHS Compliant: Yes

### ELECTRICAL SPECIFICATIONS

Model Number	Frequency Range(GHz)	Attenuation Value & Accuracy (dB)					Max VSWR
		10	20	30	40	50	
SAT27B200XX08G	DC-8	-2.5/+1.0	-2.5/+1.5	±1.5	±1.5	±1.5	1.25
SAT27B200XX12G	DC-12.4	-2.5/+1.0	-2.5/+1.5	-1.5/+2.0	-1.0/+3.0	-1.5/+2.5	1.40
SAT27B200XX18G	DC-18	-2.5/+4.0	-2.5/+5.0	-2.0/+3.5	-2.0/+3.5	-2.0/+3.0	1.50

Note: XX refer to attenuation value in dB

**NOMINAL IMPEDANCE:** 50Ω

**AVERAGE POWER:** 200W average to 25°C ambient temperature, derated linearly to 20W @ 125°C

**PEAK POWER:** 1KW (5μs pulse width with 10% duty cycle)

**CONNECTOR TYPE:** N

### Notes:

1. Dimensions Tolerance ±5%
2. Custom designs available for other special attenuation value & accuracy.