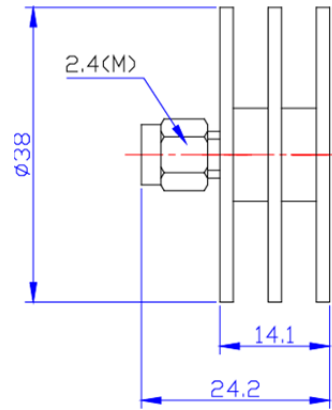


Coaxial fixed terminations absorb RF& microwave energy and are commonly used as dummy loads of antenna and transmitter. They are also used as match ports in many multiport microwave device such as circulator and directional coupler to make these ports which are not involved in the measurement be terminated in their characteristic impedance in order to ensure an accurate measurement.

2.4mm coaxial fixed termination's average power 5W, frequency range dc-50GHz and feature wide frequency band, low VSWR, excellent capacity in anti-pulse and anti-burnout.



MECHANICAL SPECIFICATIONS	
Connectors	Stainless Steel Passivated
Male Pin	Brass Gold Plated
Female Pin	Beryllium Copper Gold Plated
Housing	Aluminum,Black Anodize
Temp Range	-55° C ~ +85° C
Dimensions	M: Ø38×24.2mm F: Ø38×22.2mm
Weight	30g

RoHS Compliant: Yes

ELECTRICAL SPECIFICATIONS

Model Number	Frequency Range(GHz)	Max VSWR
ST38XD-50-5W-26	DC-26.5	1.30
ST38XD-50-5W-40	DC-40	1.35
ST38XD-50-5W-50	DC-50	1.40

Note: X refer to connector Gender, 1 means Male, 2 means Female

NOMINAL IMPEDANCE: 50Ω

AVERAGE POWER: 5W average to 25°C ambient temperature, derated linearly to 0.2W @ 125°C

PEAK POWER: 0.2KW (5μs pulse width with 1% duty cycle)

CONNECTOR TYPE: 2.4mm

Notes:

1. Dimensions Tolerance ±5%
2. Custom designs available