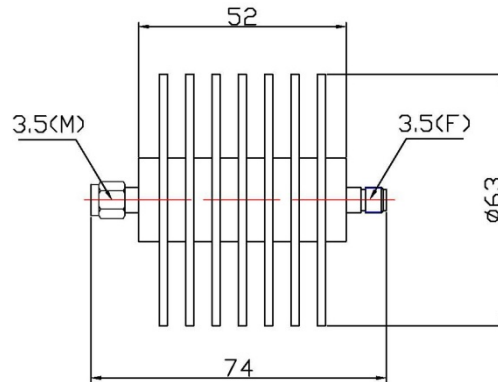


Coaxial fixed attenuators can satisfy almost any requirement where a reduction in power is needed and are used to extend the dynamic range of devices such as power meters and amplifiers, reduce signal levels to detectors and match circuits. Attenuators are also used to balance out transmission lines that otherwise would have unequal signal levels.

3.5mm coaxial fixed attenuators' average power 2-50W, frequency range from DC-26.5GHz and feature wide frequency band, low VSWR, flatness attenuation value and excellent capacity in anti-pulse and anti-burnout etc.



MECHANICAL SPECIFICATIONS	
Connectors	Stainless Steel Passivated
Male Pin	Brass Gold Plated
Female Pin	Beryllium Copper Gold Plated
Housing	Aluminum, Black Anodize
Temp Range	-55° C ~ +125° C
Dimensions	Ø63×74mm
Weight	200g

RoHS Compliant: Yes

ELECTRICAL SPECIFICATIONS

Model Number	Frequency Range(GHz)	Attenuation Value & Accuracy (dB)					Max VSWR
		3	6	10	20	30	
SAT39D50XX12	DC-12.4	-0.8/+0.3	±1.0	±1.0	±0.9	±0.9	1.20
SAT39D50XX18	DC-18	±0.8	±1.0	±1.0	±1.0	±1.0	1.25
SAT39D50XX26	DC-26.5	-1.0/+1.7	-1.0/+1.7	-1.0/+2.5	±1.0	±1.0	1.30

Model Number	Frequency Range(GHz)	Attenuation Value & Accuracy (dB)			Max VSWR
		40	50	60	
SAT39D50XX12	DC-12.4	-1.0/+0.5	-1.0/+0.75	-1.0/+0.5	1.20
SAT39D50XX18	DC-18	±1.0	±1.0	-1.0/+0.75	1.25
SAT39D50XX26	DC-26.5	±1.0	±1.0	±1.0	1.30

Note: XX refer to attenuation value in dB

NOMINAL IMPEDANCE: 50Ω

AVERAGE POWER: 50W average to 25°C ambient temperature, derated linearly to 5W @ 125°C

PEAK POWER: 0.5KW (5μs pulse width with 5% duty cycle)

CONNECTOR TYPE: 3.5mm

Notes:

1. Dimensions Tolerance ±5%
2. Custom designs available for other special attenuation value & accuracy.