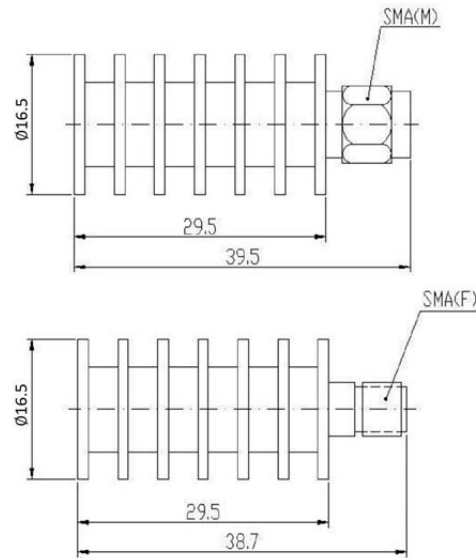


Coaxial fixed terminations absorb RF & microwave energy and are commonly used as dummy loads of antenna and transmitter. They are also used as match ports in many multiport microwave device such as circulator and directional coupler to make these ports which are not involved in the measurement be terminated in their characteristic impedance in order to ensure an accurate measurement.

SMA coaxial fixed termination's average power 10W, frequency range DC-26.5GHz and feature wide frequency band, low VSWR, excellent capacity in anti-pulse and anti-burnout.



| MECHANICAL SPECIFICATIONS | |
|---------------------------|------------------------------------|
| Connectors | Brass Nickel Plated |
| Male Pin | Brass Gold Plated |
| Female Pin | Beryllium Copper Gold Plated |
| Housing | Aluminum, Black Anodize |
| Temp Range | -55° C ~ +125° C |
| Dimensions | M: Ø16.5×39.5mm F: Ø16.5×38.7mm |
| Weight | 10g |

RoHS Compliant: Yes

ELECTRICAL SPECIFICATIONS

| Model Number | Frequency Range (GHz) | Max VSWR |
|------------------|-----------------------|----------|
| ST18XB-50-10W-03 | DC-3 | 1.10 |
| ST18XB-50-10W-06 | DC-6 | 1.20 |
| ST18XB-50-10W-08 | DC-8 | 1.25 |
| ST18XB-50-10W-12 | DC-12.4 | 1.30 |
| ST18XB-50-10W-18 | DC-18 | 1.30 |
| ST18XB-50-10W-26 | DC-26.5 | 1.30 |

Note: X refer to connector Gender, 1 means Male, 2 means Female

NOMINAL IMPEDANCE: 50Ω

AVERAGE POWER: 10W average to 25°C ambient temperature, derated linearly to 1W @ 125°C

PEAK POWER: 0.5KW (5μs pulse width with 2% duty cycle)

CONNECTOR TYPE: SMA

Notes:

1. Dimensions Tolerance ±5%
2. Custom designs available