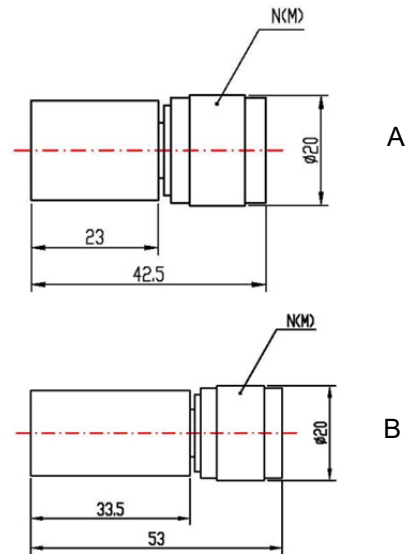


Coaxial fixed terminations absorb RF & microwave energy and are commonly used as dummy loads of antenna and transmitter. They are also used as match ports in many multipoint microwave device such as circulator and directional coupler to make these ports which are not involved in the measurement be terminated in their characteristic impedance in order to ensure an accurate measurement.

N serial high power coaxial fixed termination's average power 2W-10KW, frequency range DC-18GHz and feature wide frequency band, low VSWR, excellent capacity in anti-pulse and anti-burnout.



| MECHANICAL SPECIFICATIONS | |
|---------------------------|-----------------------------|
| Connectors | Brass Nickel Plated |
| Male Pin | Brass Gold Plated |
| Housing | Aluminum |
| Temp Range | -55° C ~ +125° C |
| Dimensions | A:Ø20×42.5mm; B:Ø20×53mm |
| Weight | A:40g; B:46g |

RoHS Compliant: Yes

ELECTRICAL SPECIFICATIONS

| Model Number | Frequency Range (GHz) | Max VSWR |
|-----------------|-----------------------|----------|
| ST271B-50-2W-03 | DC-3 | 1.15 |
| ST271B-50-2W-06 | DC-6 | 1.25 |

NOMINAL IMPEDANCE: 50Ω

AVERAGE POWER: 2W average to 25°C ambient temperature, derated linearly to 0.5W @ 125°C

PEAK POWER: 0.5KW (5μs pulse width with 0.4% duty cycle)

CONNECTOR TYPE: N(M)

Notes:

1. Dimensions Tolerance ±5%
2. Custom designs available