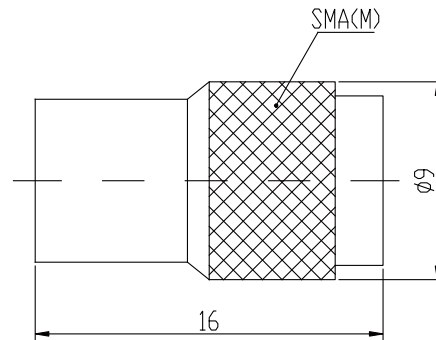


Push-on Coaxial Terminations are mainly used quickly and precise measurement for coaxial system with feature of convenient directly push on or out of test cable.

SMA push-on termination's average power 1W, frequency range DC-18GHz and feature wide frequency band, low VSWR, excellent capacity in anti-pulse and anti-burnout..



| MECHANICAL SPECIFICATIONS | |
|---------------------------|---------------------|
| Connectors | Brass Nickel Plated |
| Male Pin | Brass Gold Plated |
| Housing | Brass Nickel Plated |
| Temp Range | -55° C ~ +125° C |
| Dimensions | Ø9×16mm |
| Weight | 5g |

RoHS Compliant: Yes

ELECTRICAL SPECIFICATIONS

| Model Number | Frequency Range (GHz) | Max VSWR |
|------------------|-----------------------|----------|
| ST181B-50-1W-03P | DC-3 | 1.05 |
| ST181B-50-1W-06P | DC-6 | 1.10 |
| ST181B-50-1W-12P | DC-12.4 | 1.15 |
| ST181B-50-1W-18P | DC-18 | 1.30 |

NOMINAL IMPEDANCE: 50Ω

AVERAGE POWER: 1W average to 25°C ambient temperature, derated linearly to 0.2W @ 125°C

PEAK POWER: 0.1KW(5μs pulse width with 1% duty cycle)

CONNECTOR TYPE: SMA(M)

Notes:

1. Dimensions Tolerance ±5%
2. Custom designs available