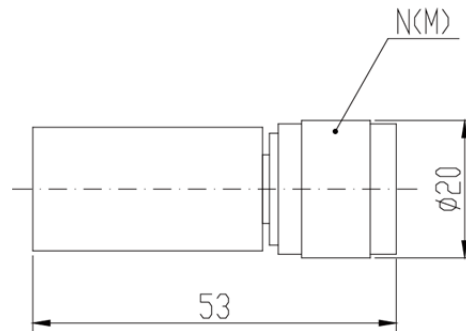


Coaxial fixed terminations absorb RF& microwave energy and are commonly used as dummy loads of antenna and transmitter. They are also used as match ports in many multiport microwave device such as circulator and directional coupler to make these ports which are not involved in the measurement be terminated in their characteristic impedance in order to ensure an accurate measurement.

N serial coaxial fixed termination's average power 1W-5W, frequency range from DC-3GHz and the features include wide frequency band, low VSWR, excellent capacity in anti-pulse and anti-burnout etc.



MECHANICAL SPECIFICATIONS	
Connectors	Brass Nickel Plated
Male Pin	Brass Gold Plated
Housing	Aluminum
Temp Range	-55° C ~ +125° C
Dimensions	Ø20×53mm
Weight	50g

RoHS Compliant: Yes

ELECTRICAL SPECIFICATIONS

Model Number	Frequency Range (GHz)	Max VSWR
ST761B-75-2W-01	DC-1	1.10
ST761B-75-2W-02	DC-2	1.15
ST761B-75-2W-03	DC-3	1.20

NOMINAL IMPEDANCE: 75Ω

AVERAGE POWER: 2W average to 25°C ambient temperature, derated linearly to 0.2W @ 125°C

PEAK POWER: 0.5KW (5μs pulse width with 0.4% duty cycle)

CONNECTOR TYPE: N(M)

Notes:

1. Dimensions Tolerance ±5%
2. Custom designs available