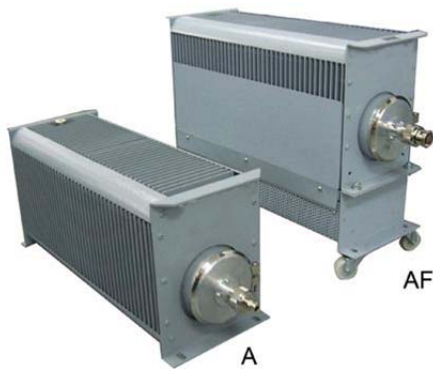
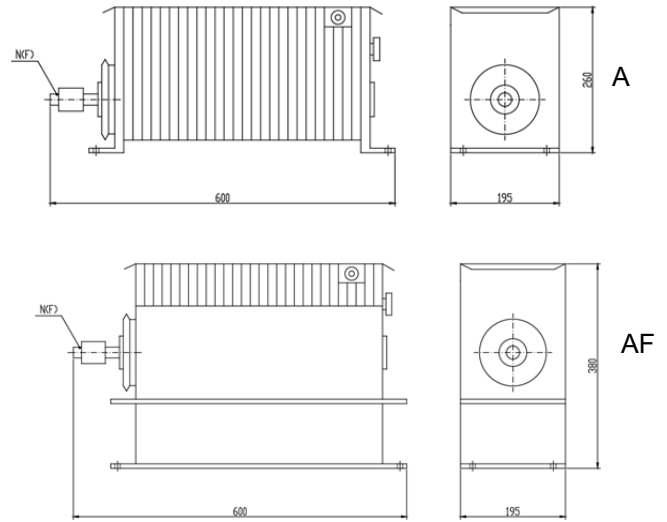


Coaxial fixed terminations absorb RF& microwave energy and are commonly used as dummy loads of antenna and transmitter. They are also used as match ports in many multiport microwave device such as circulator and directional coupler to make these ports which are not involved in the measurement be terminated in their characteristic impedance in order to ensure an accurate measurement.

N serial oil-cooled high power coaxial fixed termination's average power from 1KW-10KW, frequency range from DC-2GHz and the features include wide frequency band, low VSWR, excellent capacity in anti-pulse and anti-burnout etc.



MECHANICAL SPECIFICATIONS	
Connectors	Brass Nickel Plated
Female Pin	Beryllium Copper Gold Plated
Housing	Aluminum, Gray Powder Coat
Temp Range	-40° C ~ +45° C
Dimensions	A: 600×195×260mm; AF: 600×195×380mm(with fan)
Weight	A:20Kg; AF:23Kg

RoHS Compliant: Yes

ELECTRICAL SPECIFICATIONS

Model Number	Frequency Range (GHz)	Max VSWR
ST272B-50-2KW-02	DC-2	1.30

NOMINAL IMPEDANCE: 50Ω

AVERAGE POWER: 2000W

PEAK POWER: 50KW (5μs pulse width with 4% duty cycle)

COOLING METHOD: Oil-cooled+Forced Draft

CONNECTOR TYPE: N(F)



replace the hex nut with exhaust valve before turning on, replace the exhaust valve with hex nut during transport.

Notes:

1. Dimensions Tolerance ±5%
2. Custom designs available