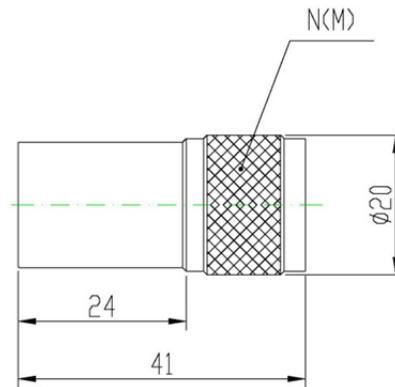


Push-on Coaxial Terminations are mainly used quickly and precise measurement for coaxial system with feature of convenient directly pushes on or out of test cable.

N serial coaxial fixed termination's average power 2W-10KW, frequency range DC-18GHz and feature wide frequency band, low VSWR, excellent capacity in anti-pulse and anti-burnout.



MECHANICAL SPECIFICATIONS	
Connectors	Brass Nickel Plated
Male Pin	Brass Gold Plated
Housing	Aluminum
Temp Range	-55° C ~ +125° C
Dimensions	Ø20×41mm
Weight	64g

RoHS Compliant: Yes

ELECTRICAL SPECIFICATIONS

Model Number	Frequency Range (GHz)	Max VSWR
ST271B-50-5W-04P	DC-4	1.10
ST271B-50-5W-06P	DC-6	1.15
ST271B-50-5W-08P	DC-8	1.20

NOMINAL IMPEDANCE: 50Ω

AVERAGE POWER: 5W

PEAK POWER: 0.5KW (5μs pulse width with 1% duty cycle)

CONNECTOR TYPE: N(M)

Notes:

1. Dimensions Tolerance ±5%
2. Custom designs available