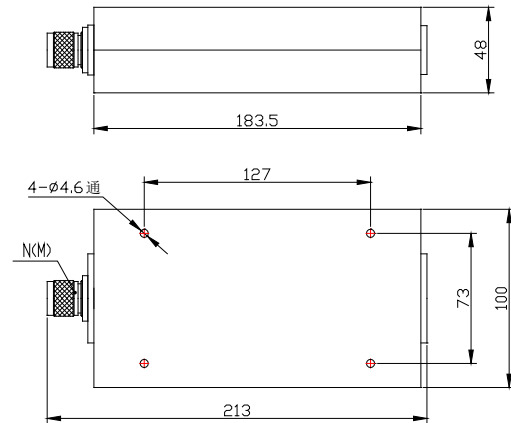


Inset terminations are used in quantitatively absorbing energy of RF and microwave system, they are commonly used as dummy loads of antenna and transmitter.

N Inset termination's average power from 250W, frequency range from DC-4GHz and the features include wide frequency band, low VSWR, excellent capacity in anti-pulse and anti-burnout etc.



MECHANICAL SPECIFICATIONS	
Connectors	Brass Nickel Plated
Male Pin	Brass Gold Plated
Housing	Aluminum
Temp Range	-55° C ~ +125° C
Dimensions	213×100×48mm
Weight	2.5Kg

RoHS Compliant: Yes

ELECTRICAL SPECIFICATIONS

Model Number	Frequency Range (GHz)	Max VSWR
SNT271B-50-250W-02N	DC-2	1.10
SNT271B-50-250W-04N	DC-4	1.15
SNT271B-50-250W-06N	DC-6	1.20

NOMINAL IMPEDANCE: 50Ω

AVERAGE POWER: 250W average to 25°C ambient temperature, derated linearly to 25W @ 125°

PEAK POWER: 10KW (5μs pulse width with 2.5% duty cycle)

CONNECTOR TYPE: N(M)

Notes:

1. Dimensions Tolerance ±5%
2. Custom designs available