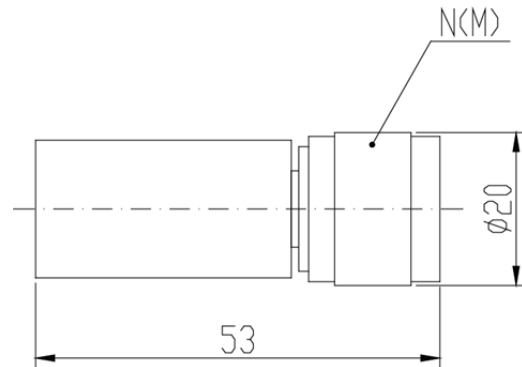


High power coaxial waterproof terminations are used in quantitatively absorbing energy of RF and microwave system, they are commonly used as dummy loads of antenna and transmitter.

N serial waterproof terminations' average power from 5W to 100W, frequency range from DC-4GHz and the features include wide frequency band, low VSWR, excellent capacity in anti-pulse and anti-burnout etc.



MECHANICAL SPECIFICATIONS	
Connectors	Brass Nickel Plated
Male Pin	Brass Gold Plated
Housing	Aluminum
Temp Range	-55° C ~ +125° C
Dimensions	Ø20×53mm
Weight	50g

RoHS Compliant: Yes

ELECTRICAL SPECIFICATIONS

Model Number	Frequency Range (GHz)	Max VSWR
ST271B-50-5W-02F	DC-2	1.10
ST271B-50-5W-04F	DC-4	1.20

NOMINAL IMPEDANCE: 50Ω

AVERAGE POWER: 5W average to 25°C ambient temperature, derated linearly to 0.5W @ 125°C

PEAK POWER: 0.5KW (5μs pulse width with 1% duty cycle)

CONNECTOR TYPE: N(M)

Notes:

1. Dimensions Tolerance ±5%
2. Custom designs available