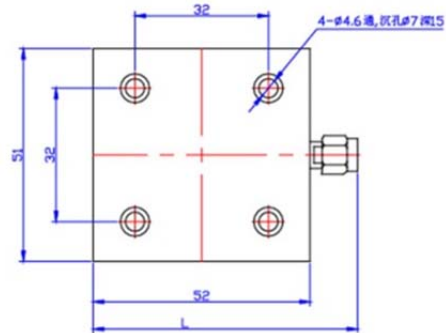
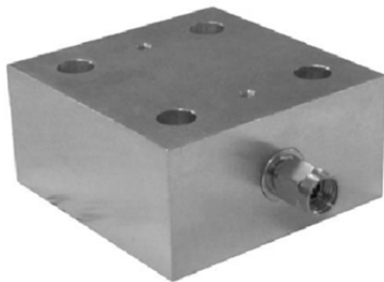


Inset terminations are used in quantitatively absorbing energy of RF and microwave system, they are commonly used as dummy loads of antenna and transmitter.

SMA inset termination's average power 50W, frequency range from DC-18GHz and the features include wide frequency band, low VSWR, excellent capacity in anti-pulse and anti-burnout etc.



MECHANICAL SPECIFICATIONS	
Connectors	Brass Nickel Plated
Male Pin	Brass Gold Plated
Female Pin	Beryllium Copper Gold Plated
Housing	Aluminum
Temp Range	-55° C ~ +125° C
Dimensions	M:62×51×25mm F:61×51×25mm
Weight	M:185g; F:180g

RoHS Compliant: Yes

ELECTRICAL SPECIFICATIONS

Model Number	Frequency Range (GHz)	Max VSWR
SNT18XB-50-50W-18	DC-18	1.35

Note: X refer to connector Gender, 1 means Male, 2 means Female

NOMINAL IMPEDANCE: 50Ω

AVERAGE POWER: 50W average to 25°C ambient temperature, derated linearly to 5W @ 125°C

CONNECTOR TYPE: SMA

Notes:

1. Dimensions Tolerance ±5%
2. Custom designs available