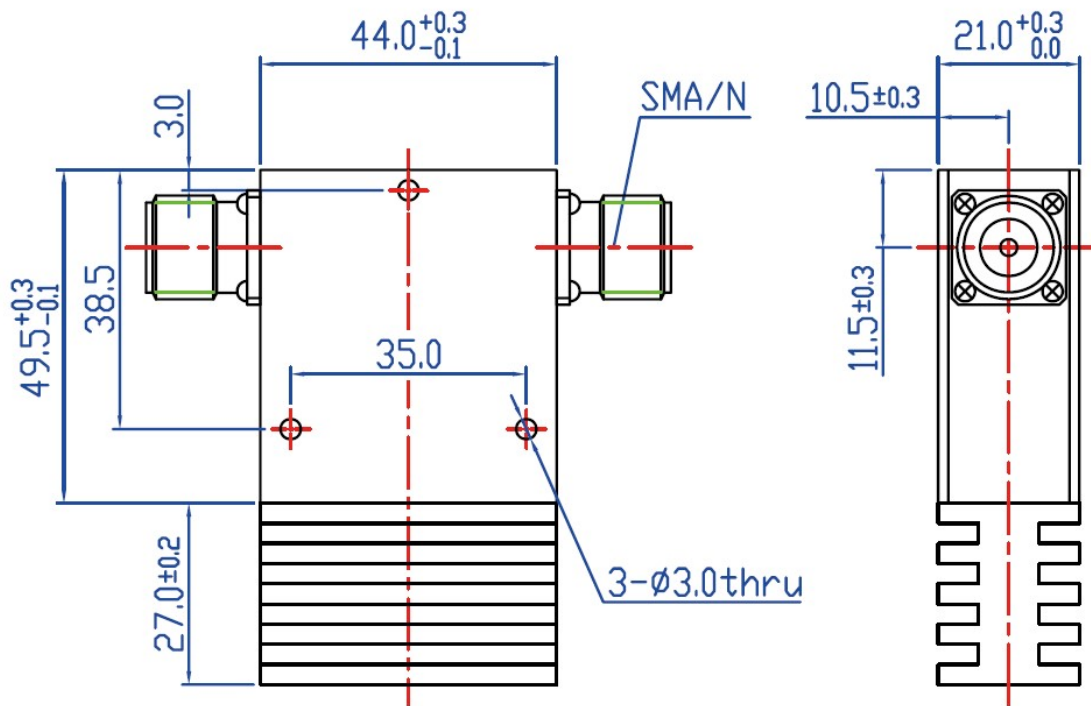


Electrical Specifications ($T_A = +25^\circ\text{C}$)

Parameter	Specification	Unit
Suitable Frequency	0.4-0.6	GHz
Relative Bandwidth	10%	-
Insertion Loss	≤ 0.4	dB
Isolation	≥ 20	dB
VSWR	$\leq 1.25:1$	--
Operating Temperature	-15 to +60	$^\circ\text{C}$
Load Power	100	W
Connector Type	SMA or N	

Outline Drawing



Unit: mm