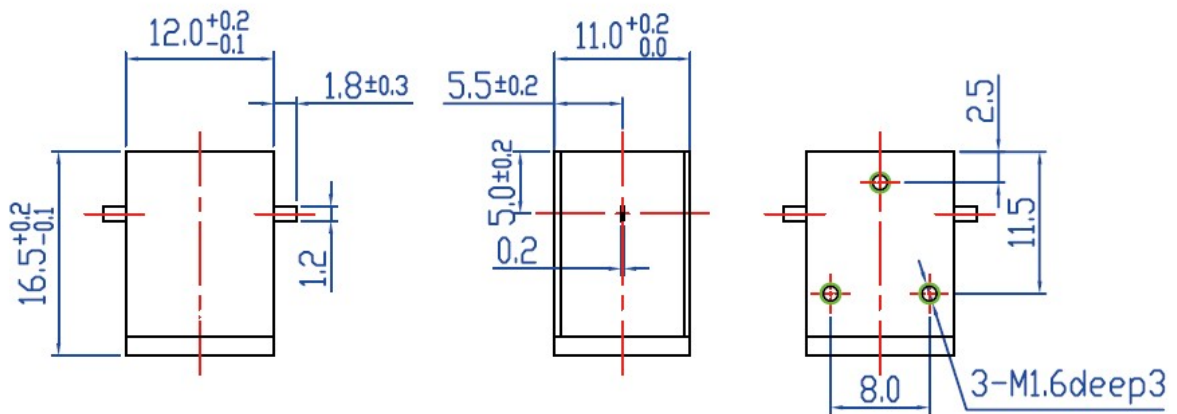


Electrical Specifications ($T_A = +25^\circ\text{C}$)

Parameter	Specification	Unit
Suitable Frequency	18-24.5	GHz
Relative Bandwidth	10%	-
Insertion Loss	≤ 0.6	dB
Isolation	≥ 18	dB
VSWR	$\leq 1.35:1$	--
Operating Temperature	-40 to +70	$^\circ\text{C}$
Load Power	2	W
Connector Type	TAB	

Outline Drawing



Unit: mm