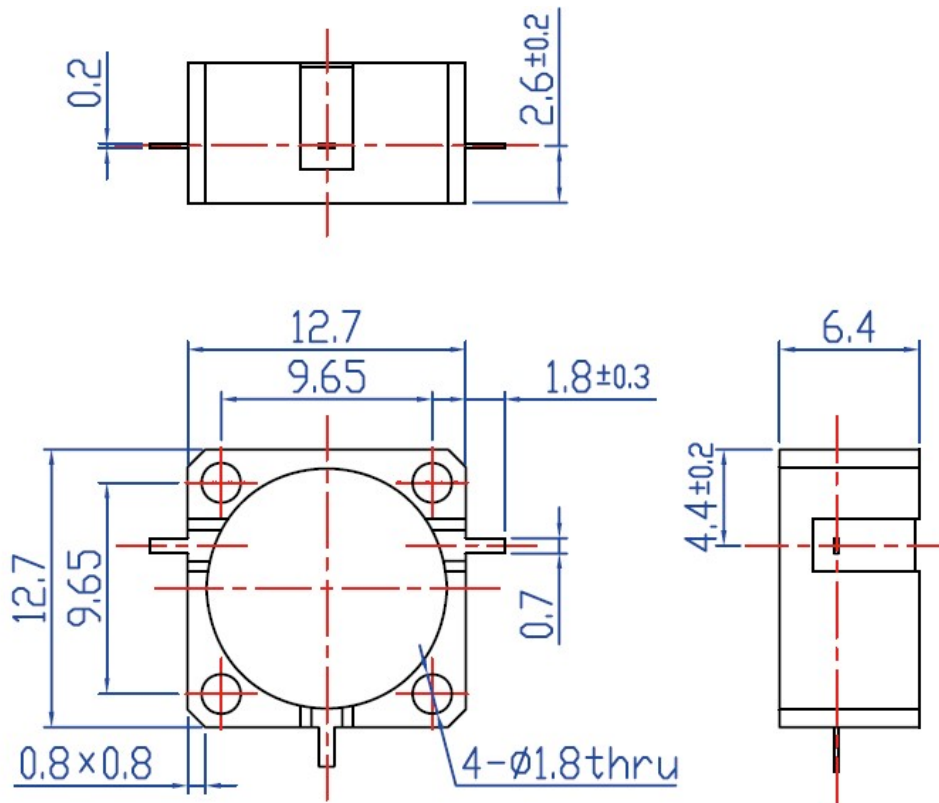


Electrical Specifications ($T_A = +25^\circ\text{C}$)

Parameter	Specification	Unit
Suitable Frequency	3.0-7.0	GHz
Relative Bandwidth	5%	-
Insertion Loss	≤ 0.4	dB
Isolation	≥ 20	dB
VSWR	$\leq 1.25:1$	--
Operating Temperature	-40 to +70	$^\circ\text{C}$
Load Power	/	W
Connector Type	TAB	

Outline Drawing



Unit: mm