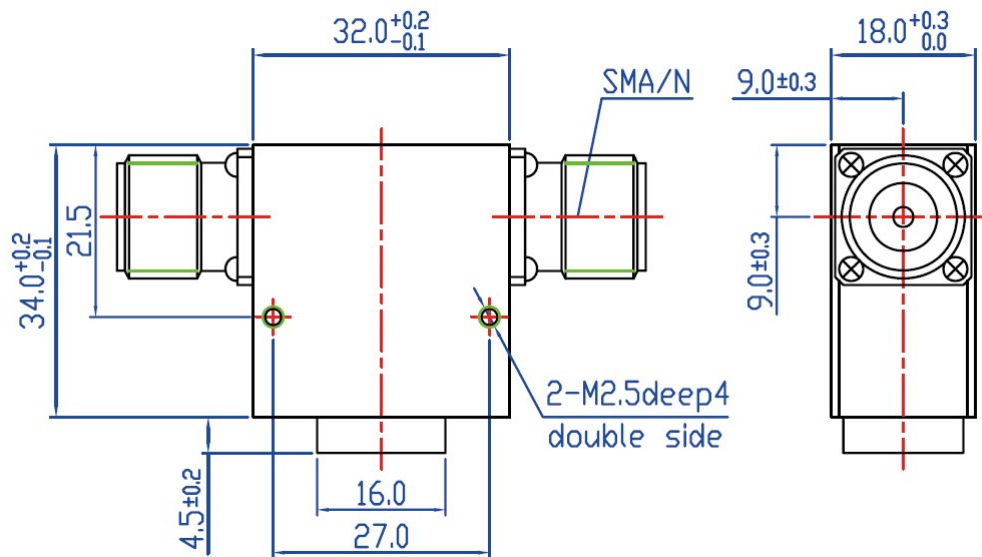


Electrical Specifications ($T_A = +25^\circ\text{C}$)

Parameter	Specification	Unit
Frequency	2-4	GHz
Insertion Loss	≤ 0.6	dB
Isolation	≥ 18	dB
VSWR	$\leq 1.4:1$	--
Operating Temperature	-30 to +70	$^\circ\text{C}$
Load Power	10	W
Connector Type	SMA or N	

Outline Drawing



Unit: mm