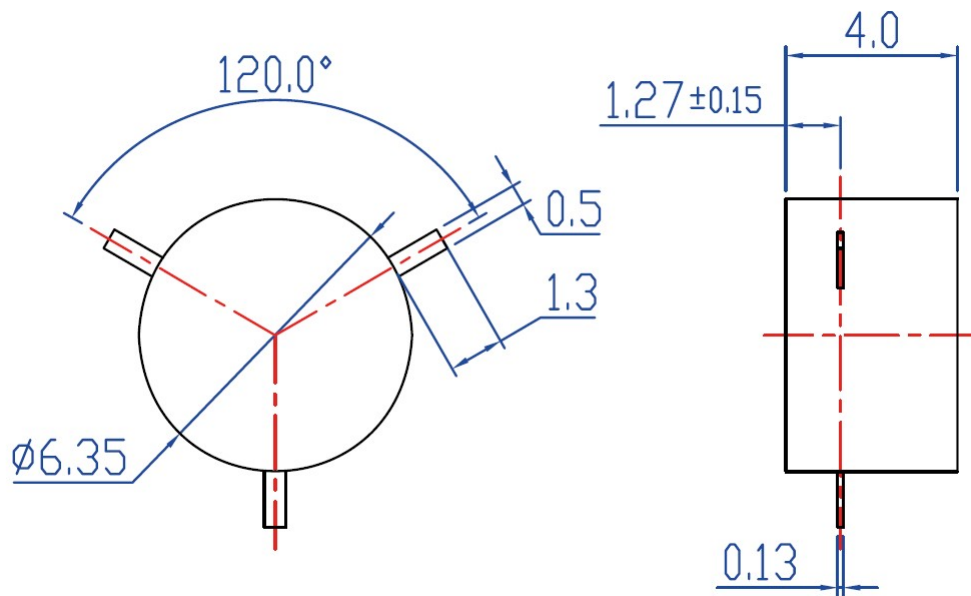


Electrical Specifications ($T_A = +25^\circ\text{C}$)

Parameter	Specification	Unit
Suitable Frequency	9-11	GHz
Relative Bandwidth	10%	-
Insertion Loss	≤ 0.5	dB
Isolation	≥ 20	dB
VSWR	$\leq 1.25:1$	--
Operating Temperature	-15 to +60	$^\circ\text{C}$
Load Power	/	W
Connector Type	SMD	

Outline Drawing



Unit: mm