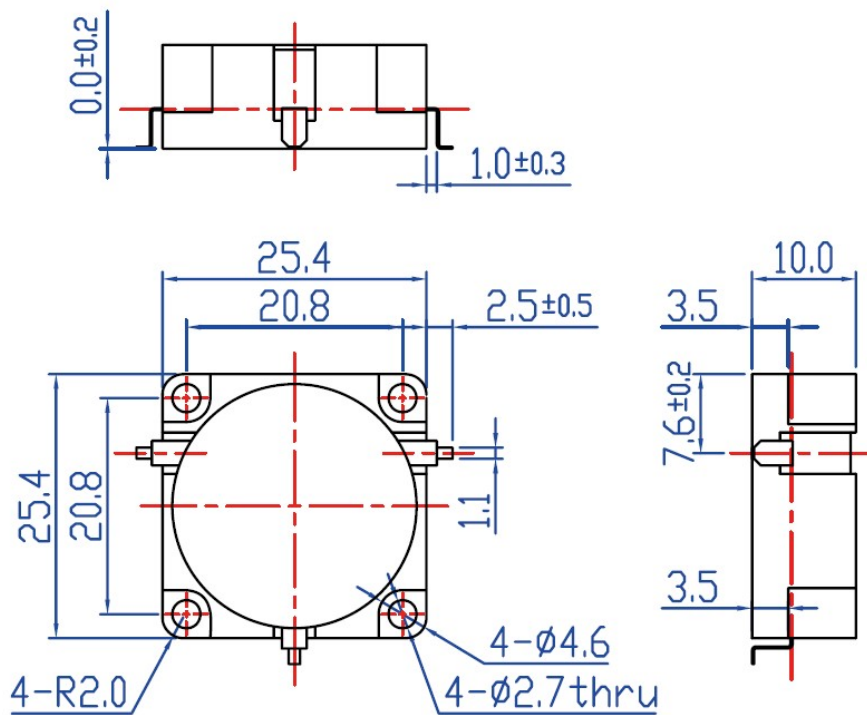


Electrical Specifications ( $T_A = +25^\circ\text{C}$ )

Parameter	Specification	Unit
Suitable Frequency	0.5-1.0	GHz
Relative Bandwidth	5%	-
Insertion Loss	$\leq 0.5$	dB
Isolation	$\geq 23$	dB
VSWR	$\leq 1.2:1$	--
Operating Temperature	-40 to +85	$^\circ\text{C}$
Load Power	/	W
Connector Type	SMD	

Outline Drawing



Unit: mm