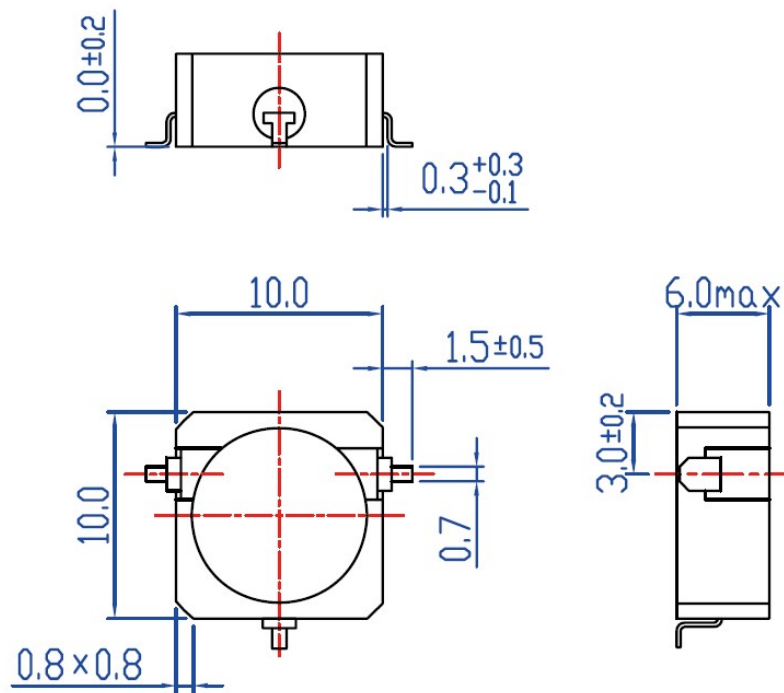


**Electrical Specifications** ( $T_A = +25^\circ\text{C}$ )

Parameter	Specification	Unit
Suitable Frequency	1.5-2.2	GHz
Relative Bandwidth	1%	-
Insertion Loss	$\leq 0.4$	dB
Isolation	$\geq 20$	dB
VSWR	$\leq 1.25:1$	--
Operating Temperature	-40 to +85	$^\circ\text{C}$
Load Power	/	W
Connector Type	SMD	

**Outline Drawing**



Unit: mm