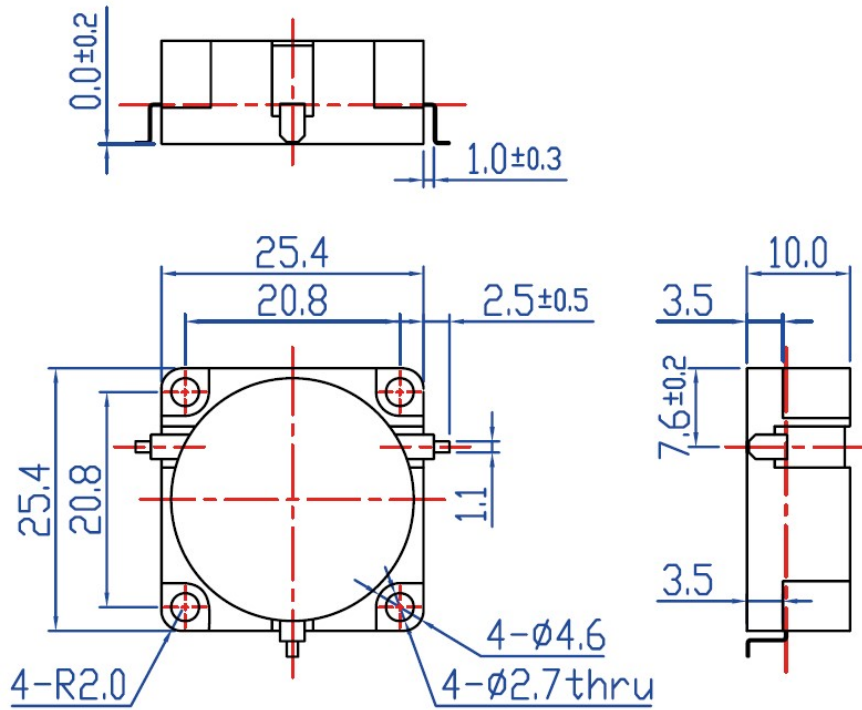


Electrical Specifications ($T_A = +25^\circ\text{C}$)

Parameter	Specification	Unit
Suitable Frequency	0.35-0.5	GHz
Relative Bandwidth	5%	-
Insertion Loss	≤ 0.7	dB
Isolation	≥ 18	dB
VSWR	$\leq 1.3:1$	--
Operating Temperature	-40 to +85	$^\circ\text{C}$
Load Power	/	W
Connector Type	SMD	

Outline Drawing



Unit: mm