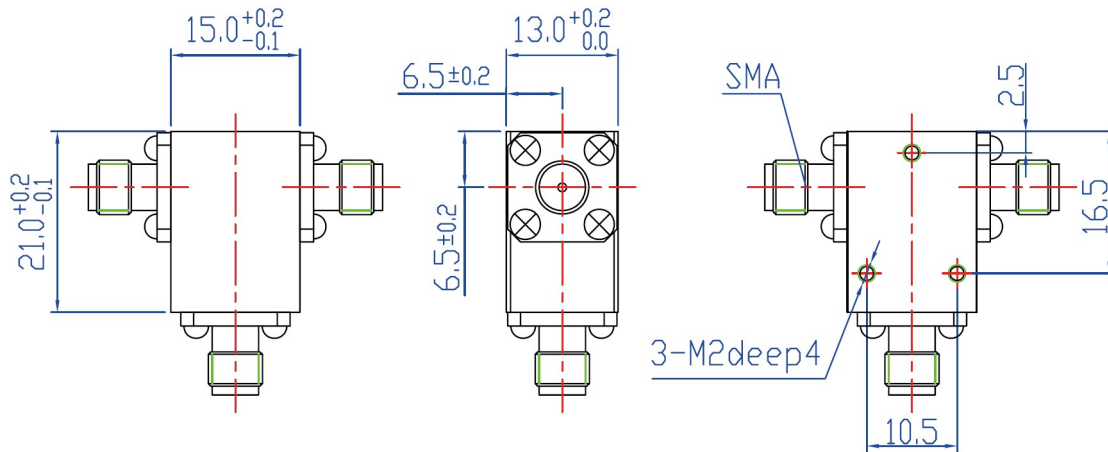


Electrical Specifications ($T_A = +25^\circ\text{C}$)

Parameter	Specification	Unit
Frequency	8-18	GHz
Insertion Loss	≤ 0.8	dB
Isolation	≥ 16	dB
VSWR	$\leq 1.5:1$	--
Operating Temperature	-40 to +70	$^\circ\text{C}$
Load Power	/	W
Connector Type	SMA	

Outline Drawing



Unit: mm