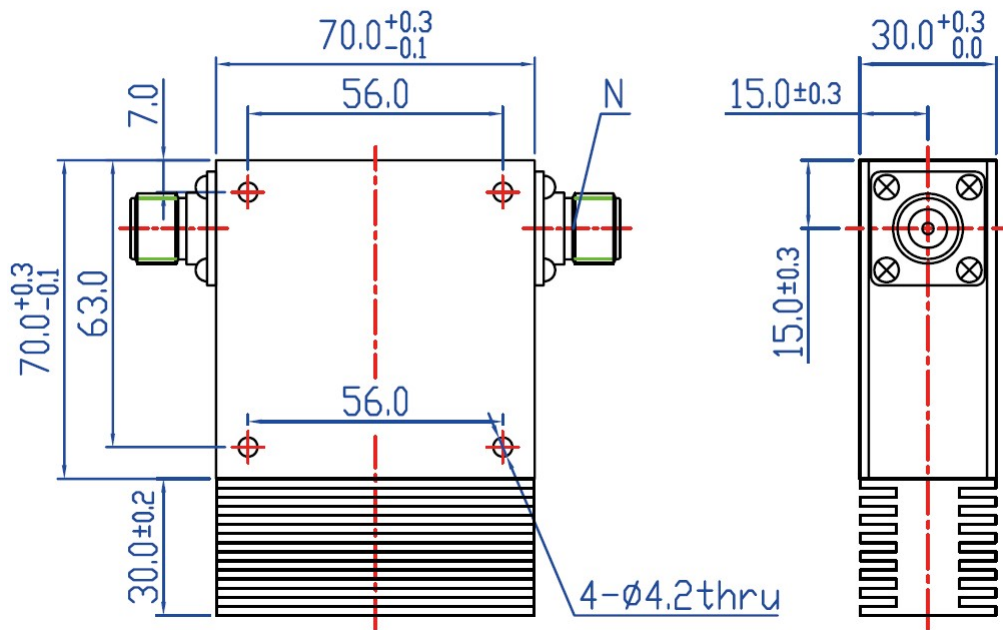


**Electrical Specifications** ( $T_A = +25^\circ\text{C}$ )

Parameter	Specification	Unit
Frequency	0.26-0.30	GHz
Insertion Loss	$\leq 0.4$	dB
Isolation	$\geq 20$	dB
VSWR	$\leq 1.25:1$	--
Operating Temperature	-30 to +70	$^\circ\text{C}$
Peak Power	1600	W
Duty Cycle	30%	-
Load Power	500	W
Connector Type	N	

**Outline Drawing**



Unit: mm