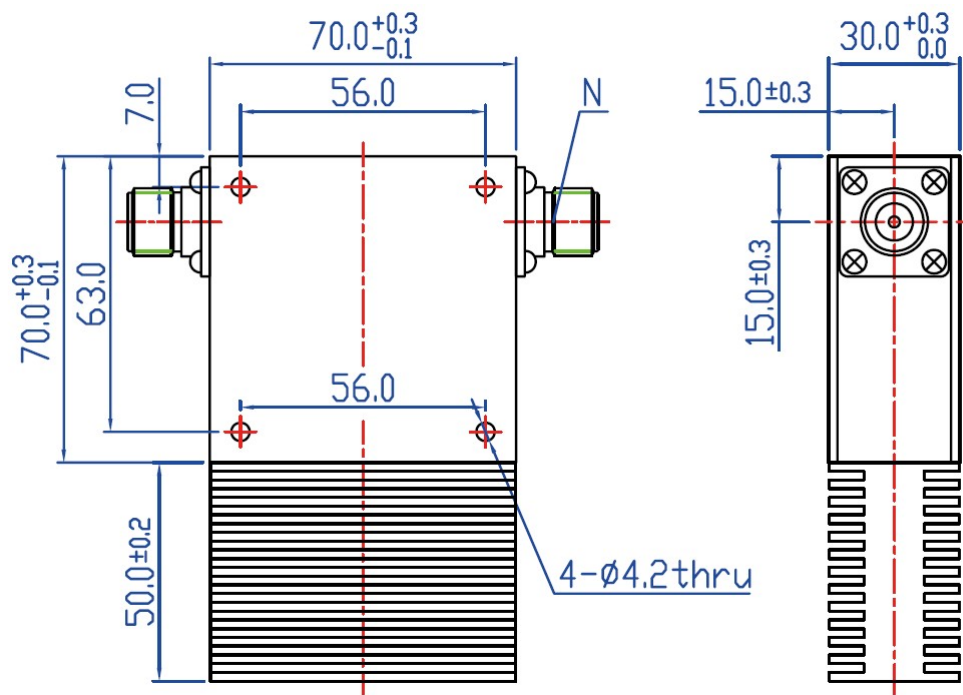


Electrical Specifications ($T_A=+25^{\circ}\text{C}$)

Parameter	Specification	Unit
Frequency	0.26-0.30	GHz
Insertion Loss	≤ 0.4	dB
Isolation	≥ 20	dB
VSWR	$\leq 1.25:1$	--
Operating Temperature	-30 to +70	$^{\circ}\text{C}$
Peak Power	2500	W
Duty Cycle	30%	-
Load Power	800	W
Connector Type	N	

Outline Drawing



Unit: mm