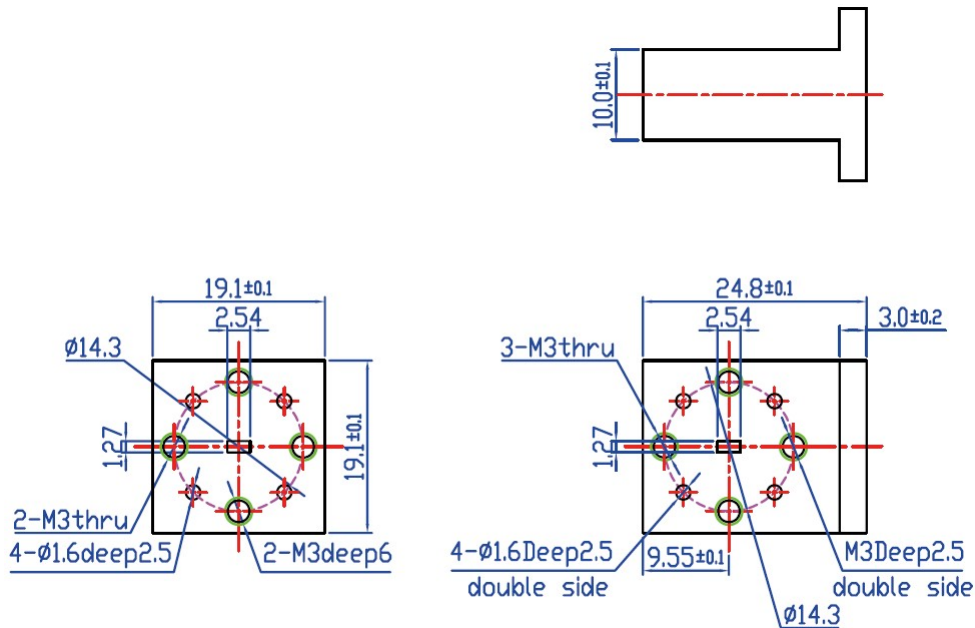


### Electrical Specifications ( $T_A = +25^\circ\text{C}$ )

Parameter	Specification	Unit
Suitable Frequency	73.8-112	GHz
Relative Bandwidth	2%	-
Insertion Loss	$\leq 1.0$	dB
Isolation	$\geq 18$	dB
VSWR	$\leq 1.3:1$	--
Operating Temperature	-40 to +85	$^\circ\text{C}$
Connector Type	WR10	

### Outline Drawing



Unit: mm