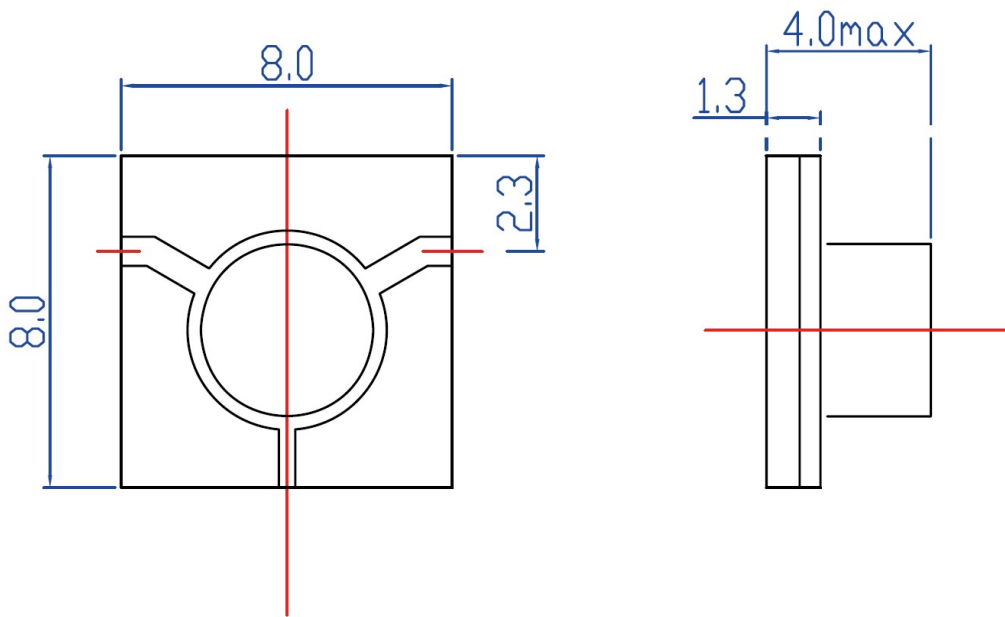


### Electrical Specifications ( $T_A = +25^\circ\text{C}$ )

Parameter	Specification	Unit
Frequency	6.5-7.1	GHz
Insertion Loss	$\leq 0.5$	dB
Isolation	$\geq 18$	dB
VSWR	$\leq 1.3:1$	--
Operating Temperature	-55 to +85	$^\circ\text{C}$
Load Power	/	W
Connector Type	GWB	

### Outline Drawing



Unit: mm