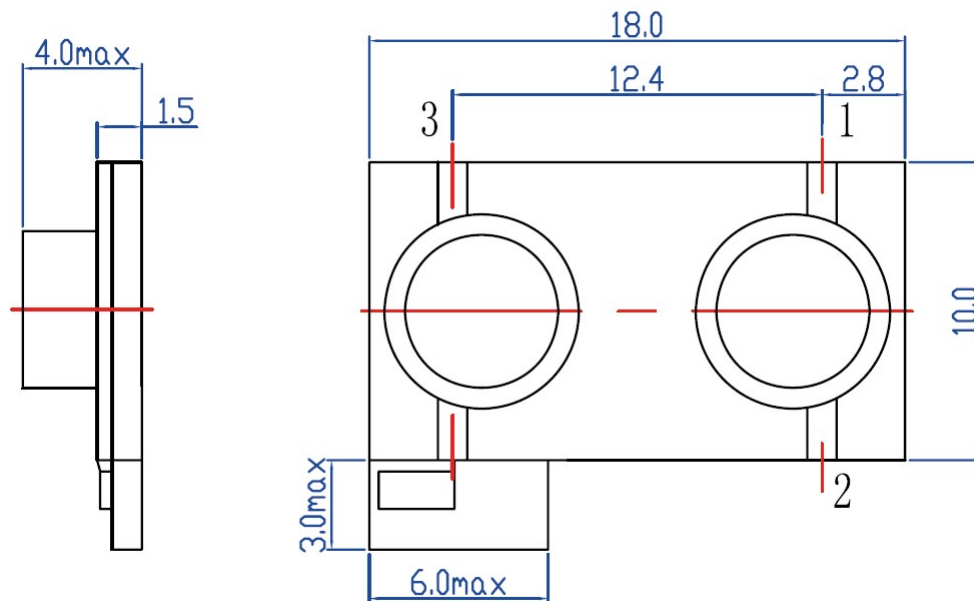


### Electrical Specifications ( $T_A = +25^\circ\text{C}$ )

| Parameter             | Specification               | Unit             |
|-----------------------|-----------------------------|------------------|
| Frequency             | 5.2-5.7                     | GHz              |
| Insertion Loss        | $\leq 0.4(1 \rightarrow 2)$ | dB               |
|                       | $\leq 0.7(2 \rightarrow 3)$ |                  |
| Isolation             | $\geq 20(2 \rightarrow 1)$  | dB               |
|                       | $\geq 39(3 \rightarrow 2)$  |                  |
| VSWR                  | $\leq 1.25:1$               | --               |
| Operating Temperature | -55 to +85                  | $^\circ\text{C}$ |
| Load Power            | 10                          | W                |
| Connector Type        | GWB                         |                  |

### Outline Drawing



Unit: mm