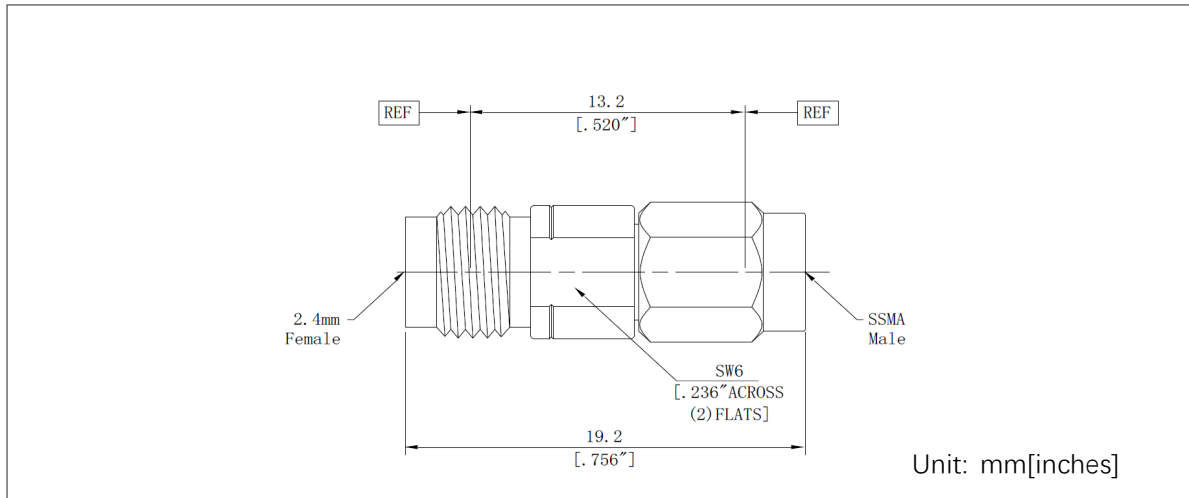


Description: 2.4mm Female To SSMA Male Adapter

Outline drawing:



Type

| | Connector 1 | Connector 2 |
|------------|--------------|-------------|
| Port Type | 2.4mm Female | SSMA Male |
| Impedance | 50Ω | 50Ω |
| Body Style | Straight | |

Material and Plating

| | |
|------------------|--|
| Body | SUS303, Polished & Passivated |
| Center conductor | Beryllium Copper Gold Plated |
| Dielectric | PEI&PTFE |
| Nut | Connector 1: N/A; Connector 2: SUS303, Polished & Passivated |

Electrical Specifications

| | |
|-----------------|-------------|
| Frequency Range | DC-40GHz |
| Max VSWR | 1.20:1(max) |

Mechanical Specifications

| | Connector 1 | Connector 2 |
|--------------------|---------------|---------------|
| Durability | > 2000 Cycles | > 2000 Cycles |
| Recommended Torque | 0.9 Nm | 0.9 Nm |

Environmental Data

| | |
|-----------------------------|------------|
| Operating Temperature Range | -55~+165°C |
| 2002/95/EC(RoHS) | Compliant |