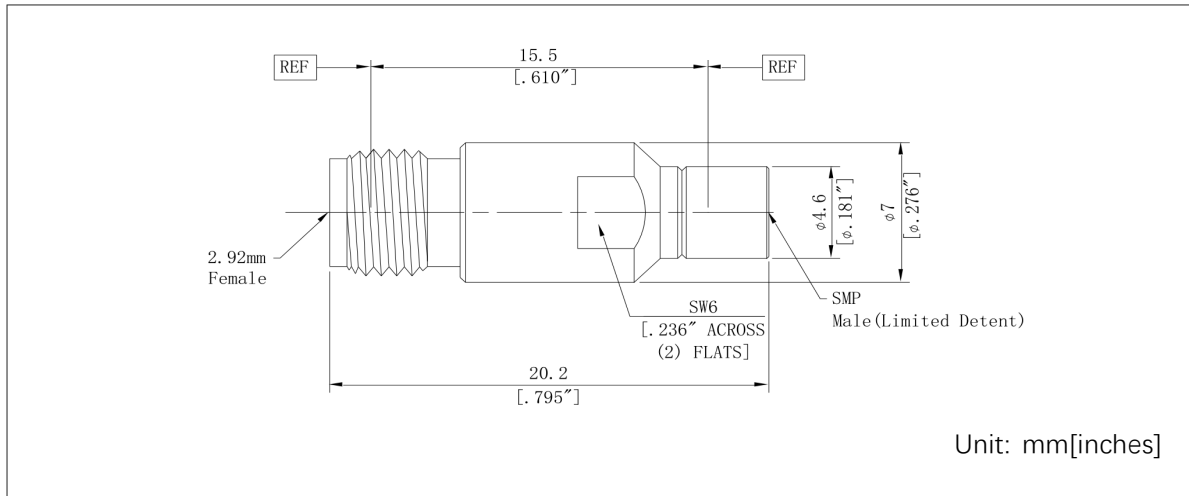


Description: 2.92mm Female To SMP Male(Limited Detent) Adapter

Outline drawing:



Type

	Connector 1	Connector 2
Port Type	2.92mm Female	SMP Male(Limited Detent)
Impedance	50Ω	50Ω
Body Style	Straight	

Material and Plating

Body	SUS303, Polished & Passivated
Center conductor	Beryllium Copper Gold Plated
Dielectric	PEI&PTFE

Electrical Specifications

Frequency Range	DC-40GHz
Max VSWR	1.25:1(max)

Mechanical Specifications

	Connector 1	Connector 2
Durability	> 2000 Cycles	> 2000 Cycles
Recommended Torque	0.9 Nm	N/A

Environmental Data

Operating Temperature Range	-55~+165°C
2002/95/EC(RoHS)	Compliant