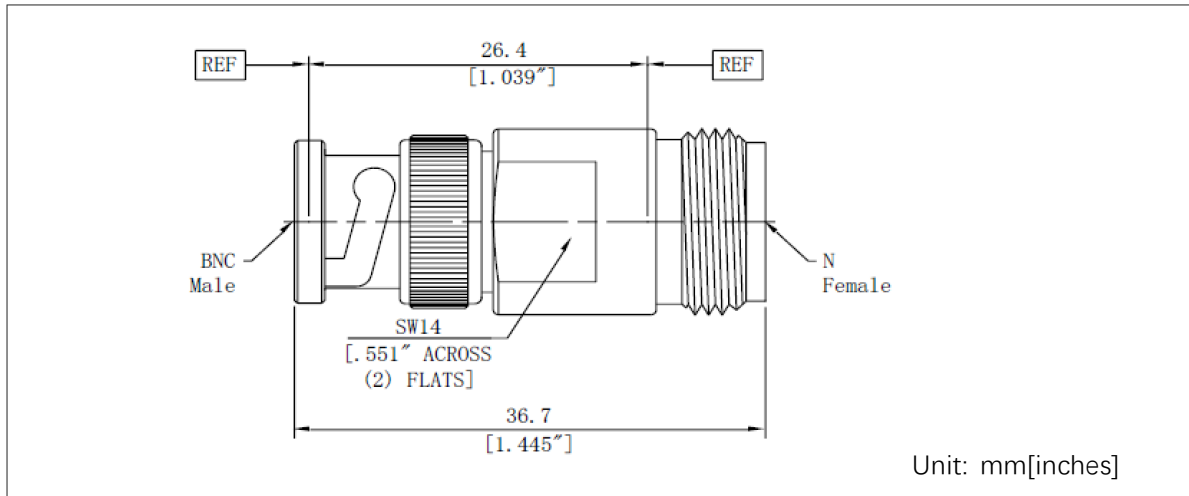


**Description: N Female To BNC Male Adapter**

**Outline drawing:**



**Type**

	Connector 1	Connector 2
Port Type	N Female	BNC Male
Impedance	50Ω	50Ω
Body Style	Straight	

**Material and Plating**

Body	SUS303, Polished & Passivated
Center conductor	Beryllium Copper Gold Plated
Dielectric	PEI&PTFE
Nut	Connector 1:N/A; Connector 2:Brass,Nickel Plated

**Electrical Specifications**

Frequency Range	DC-4GHz
Max VSWR	1.10:1(max)

**Mechanical Specifications**

	Connector 1	Connector 2
Durability	> 2000 Cycles	> 2000 Cycles
Recommended Torque	1.35 Nm	N/A

**Environmental Data**

Operating Temperature Range	-55~+165°C
2002/95/EC(RoHS)	Compliant