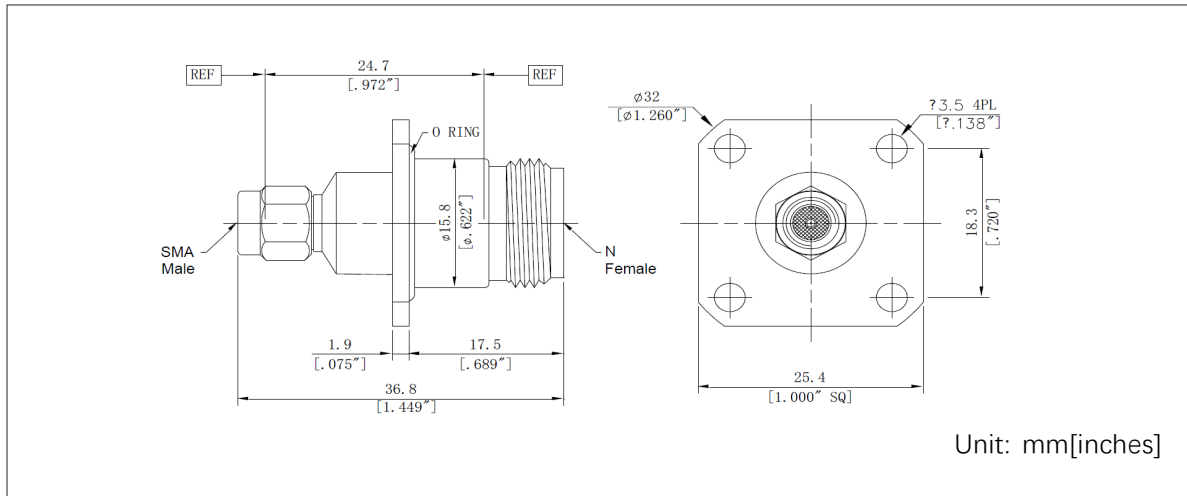


## Description: SMA Male To N Female Adapter

### Outline drawing:



### Type

	Connector 1	Connector 2
Port Type	SMA Male	N Female
Impedance	50Ω	50Ω
Body Style	Straight, 4 Hole Flange Mount	

### Material and Plating

Body	SUS303, Polished & Passivated
Center conductor	Beryllium Copper Gold Plated
Dielectric	PEI
Nut	Connector 1: SUS303, Polished & Passivated; Connector 2: N/A

### Electrical Specifications

Frequency Range	DC-18GHz
Max VSWR	1.15:1(max)

### Mechanical Specifications

	Connector 1	Connector 2
Durability	> 2000 Cycles	> 2000 Cycles
Recommended Torque	0.9 Nm	1.35 Nm

### Environmental Data

Operating Temperature Range	-55~+165°C
2002/95/EC(RoHS)	Compliant