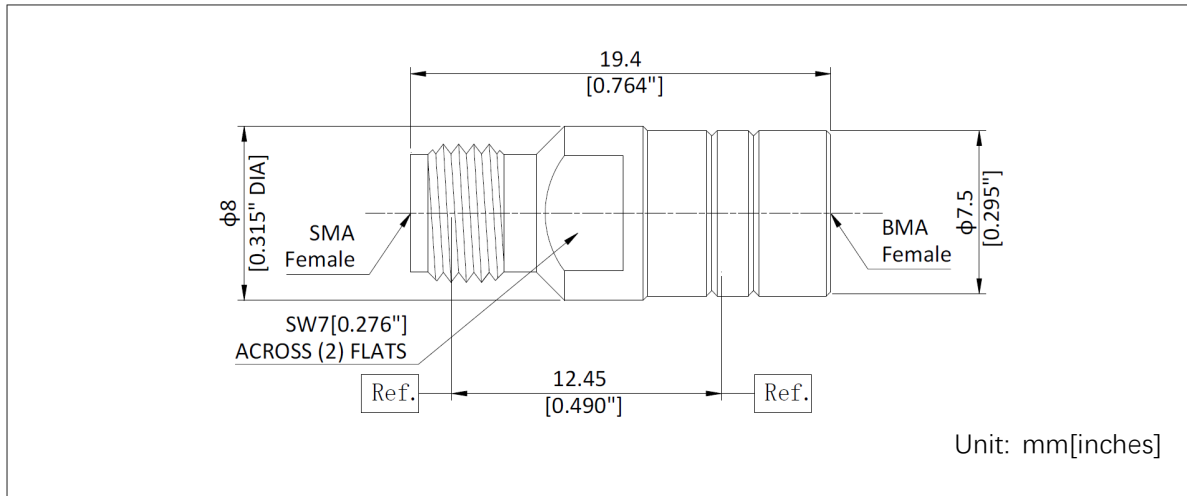


Description: SMA Female To BMA Female Adapter

Outline drawing:



Type

	Connector 1	Connector 2
Port Type	SMA Female	BMA Female
Impedance	50Ω	50Ω
Body Style	Straight	

Material and Plating

Body	Stainless Steel, Passivated
Center conductor	Beryllium Copper Gold Plated
Dielectric	PTFE

Electrical Specifications

Frequency Range	DC-18GHz
Max VSWR	1.25:1(max)

Mechanical Specifications

	Connector 1	Connector 2
Durability	> 2000 Cycles	> 2000 Cycles
Recommended Torque	0.9 Nm	N/A

Environmental Data

Operating Temperature Range	-55~+165°C
2002/95/EC(RoHS)	Compliant