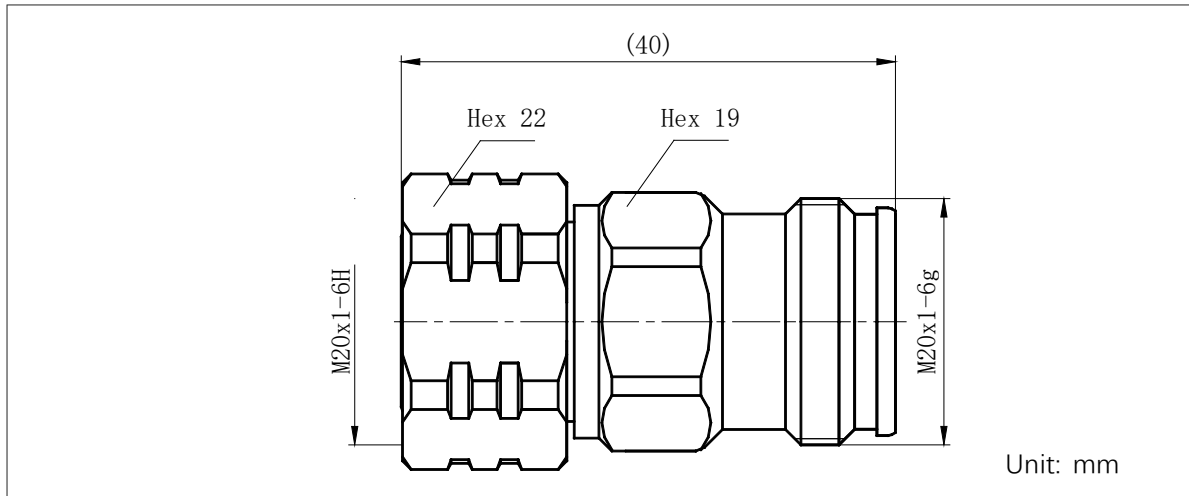


Description: 4.3/10 Male To 4.3/10 Female Adapter

Outline drawing:



Type

	Connector 1	Connector 2
Port Type	4.3/10 Male	4.3/10 Female
Impedance	50Ω	50Ω
Body Style	Straight	

Material and Plating

Body	Brass, SUCO Plated
Center conductor	Phosphor bronze, Silver Plated
Dielectric	PTFE
Other	Brass, SUCO Plated

Electrical Specifications

Frequency Range	DC-6GHz
Max VSWR	1.10:1(max)
PIM (@2-tonex20w)	≤ -163dBc

Mechanical Specifications

Durability	Mating cycles ≥100 cycles
------------	---------------------------

Environmental Data

Operating Temperature Range	-40~+85°C
2002/95/EC(RoHS)	Compliant