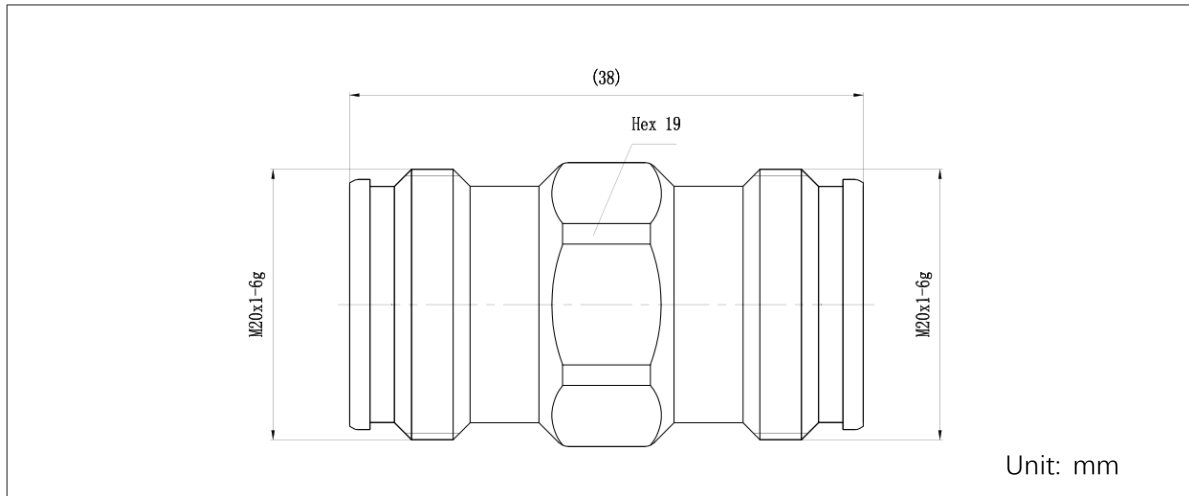


Description: 4.3/10 Female To 4.3/10 Female Adapter

Outline drawing:



Type

	Connector 1	Connector 2
Port Type	4.3/10 Female	4.3/10 Female
Impedance	50Ω	50Ω
Body Style	Straight	

Material and Plating

Body	Brass, SUCO Plated
Center conductor	Phosphor bronze, Silver Plated
Dielectric	PTFE

Electrical Specifications

Frequency Range	DC-6GHz
Max VSWR	1.06:1(max)
PIM (@2-tonex20w)	≤ -163dBc

Mechanical Specifications

Durability	Mating cycles ≥ 100 cycles
------------	----------------------------

Environmental Data

Operating Temperature Range	-40~+85°C
2002/95/EC(RoHS)	Compliant