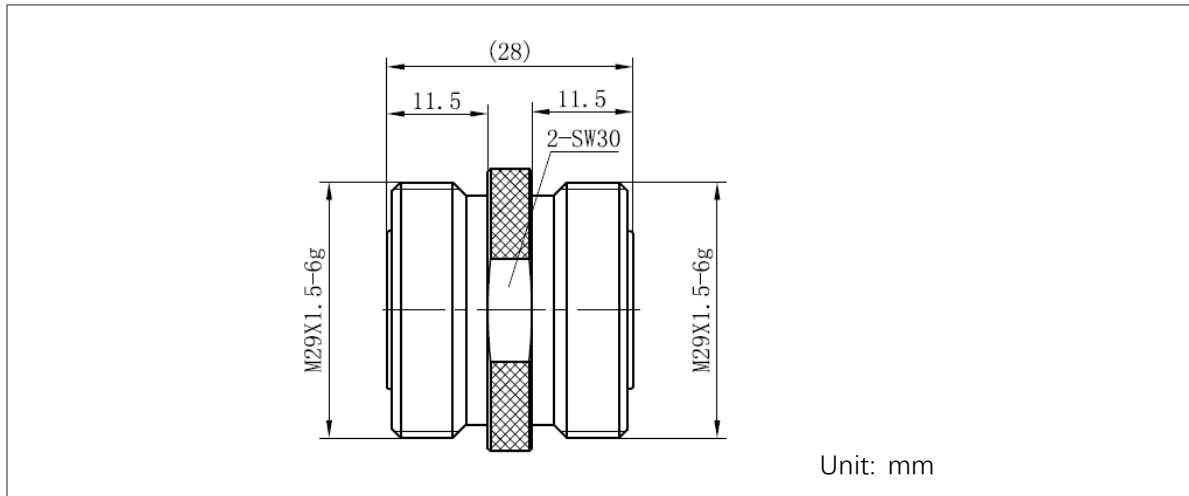


**Description: 7/16 Female To 7/16 Female Adapter**

**Outline drawing:**



**Type**

	Connector 1	Connector 2
Port Type	7/16 Female	7/16 Female
Impedance	50Ω	50Ω
Body Style	Straight	

**Material and Plating**

Body	Brass, SUCO Plated
Center conductor	Phosphor bronze, Silver Plated
Dielectric	PTFE
Other	Brass, SUCO Plated

**Electrical Specifications**

Frequency Range	DC-3GHz
Max VSWR	1.10:1(max)
PIM (@2-tonex20w)	≤ -160dBc

**Mechanical Specifications**

Durability	Mating cycles ≥ 500 cycles
------------	----------------------------

**Environmental Data**

Operating Temperature Range	-40~+85°C
2002/95/EC(RoHS)	Compliant