

## Features

Ultra Wide Band

Low Insertion Loss

High Isolation

Rush Delivery

Fast Response

Customization Available Upon Request

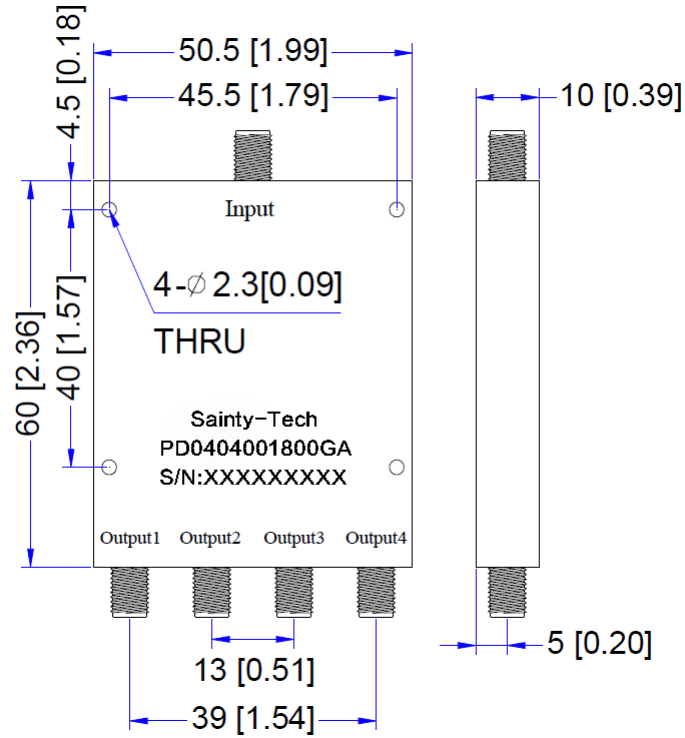
## Electrical Specifications

Parameter		Min.	Typ.	Max.	Unit
Frequency		4	-	18	GHz
Insertion Loss		-	0.8	1.1	dB
Isolation		18	19	-	dB
Input VSWR		-	-	1.6	--
Output VSWR		-	-	1.5	--
Amplitude Unbalance		-	-	±0.4	dB
Phase Unbalance		-	-	±5	deg
Power Rating	Forward Power	20			W
	Reverse Power	1			W
Impedance		50			Ohms
Weight		3.17			Ounce
Input / Output Connectors		SMA-FEMALE			
Finish		Black Paint			

## Environmental Specifications

Operating Temperature	-45 to +85°C
Storage Temperature	-55 to +125°C
Altitude	30,000ft (Epoxy Sealed Controlled environment)
Vibration	25g RMS (15 degrees 2KHz) endurance, 1 hour per axis
Humidity	100% RH at 35°C 95% RH at 40°C
Shock	20G for 11msec half sinewave, 3 axis both directions

Outline Drawing



Unit: mm [inches]

Outline tolerance:  $\pm 0.2$  [0.008]