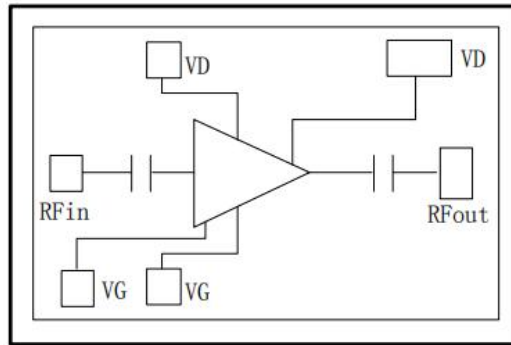


### Performance

- Frequency: 5~6GHz
- Typical Signal Gain: 22dB
- Typical Pout: 42dBm@28V
- PAE: 48%
- Typical Operating Current: 1.1A
- Bias: 28V, -2.6V (Typ.)
- Mode: CW
- Technology: 0.25um HEMT
- Size: 3.3mm\*2.3mm\*0.08mm

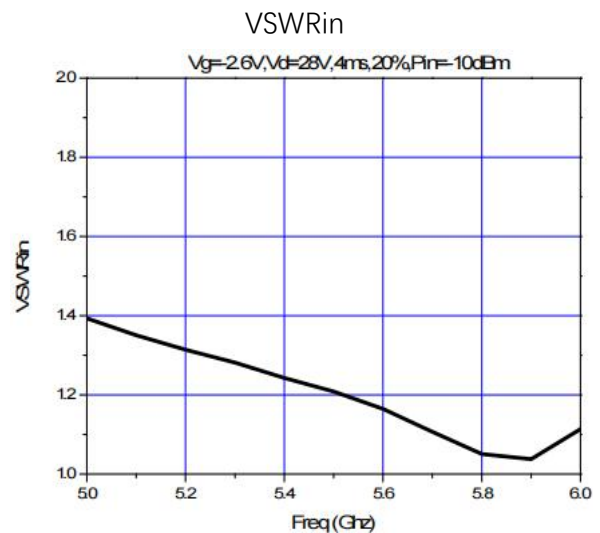
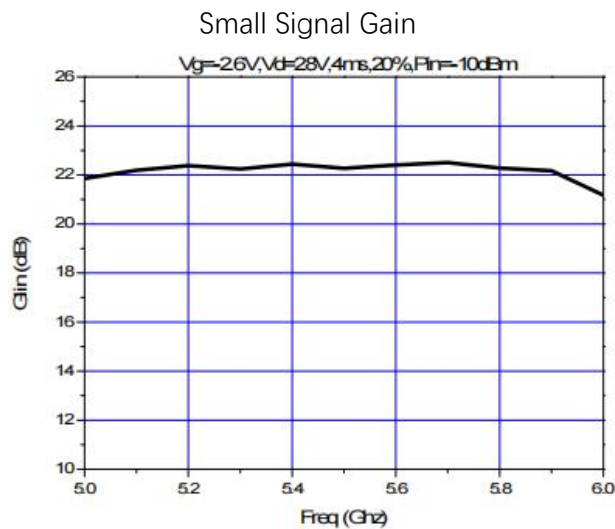
### Function Diagram

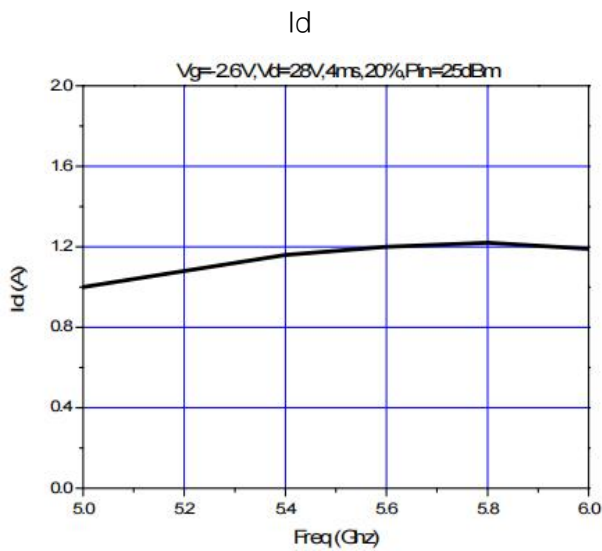
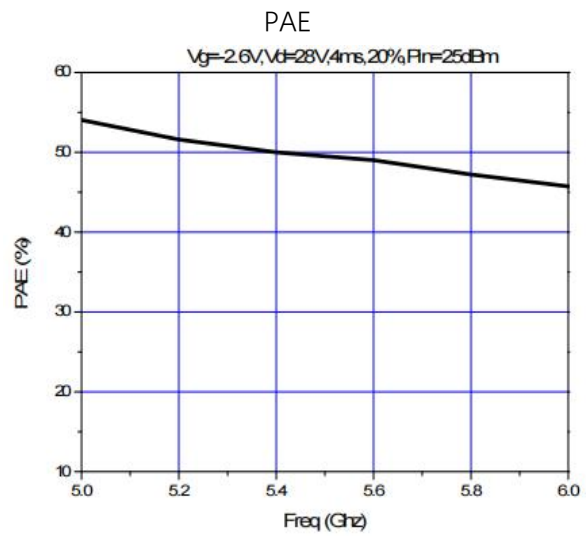
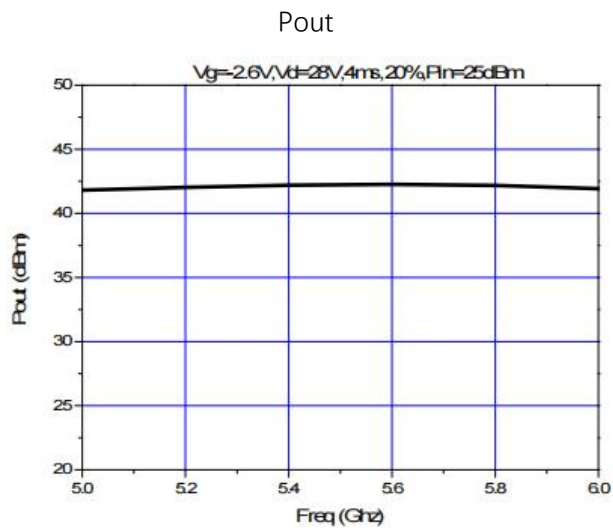


### Electrical Specifications (TA=25°C, Vd=28V, Vg=-2.6V, F: 5~6GHz, CW)

Symbol	Parameter	Min	Typical	Max	Unit
G	Small Signal Gain	-	22	-	dB
Gp	Power Gain	-	17	-	dB
Pout	Saturated Power	-	42	-	dBm
Id	Operating Current	-	1.1	-	A
PAE	Power Added Efficiency	-	50	-	%

### Test Curves

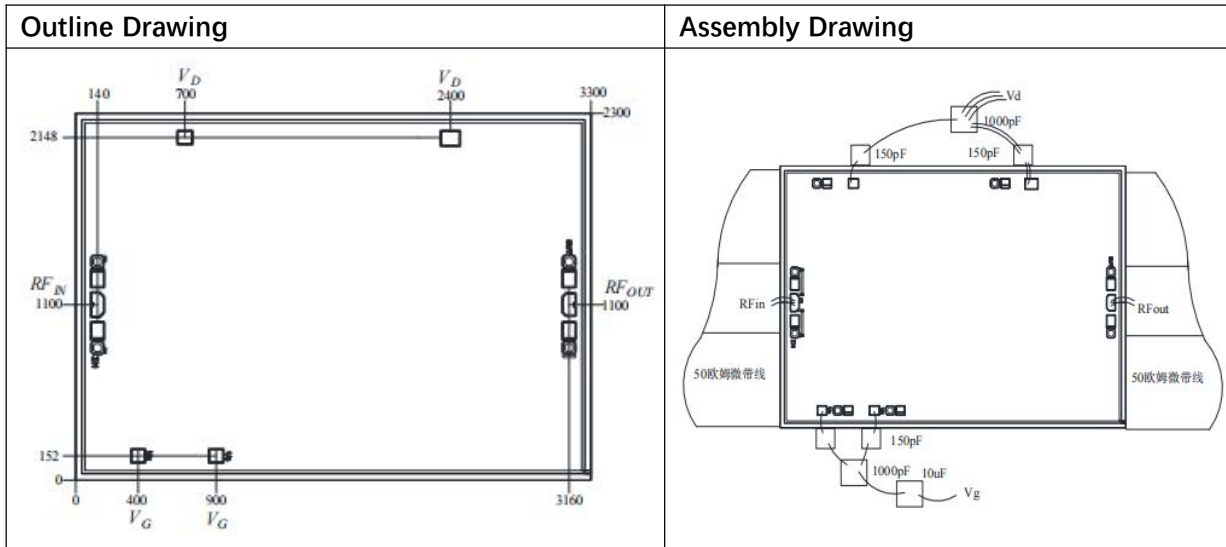




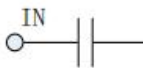
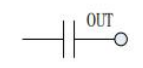
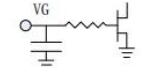
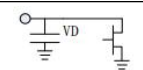
#### Absolute Max Ratings (TA=25°C)

Symbol	Parameter	Value	Remark
Vd	Drain Voltage	32V	
Vg	Grid Voltage	-10V	
Pd	DC Power	45W	
Pin	Input Power	29dBm	
Tch	Channel Temperature	225°C	
Tm	Mounting Temperature	310°C	30 s, N2 Protection
Tstg	Storage Temperature	-65~150°C	

Exceeding any one or combination of these limits may cause permanent damage.



### Pads Definition

Pad	Description	Equivalent Circuit
RFin	RF Signal input, connect to 50ohm system, no need block capacitor.	
RFout	RF Signal output, connect to 50ohm system, no need block capacitor.	
VG	Amp gate bias, external 150pF, 1000pF, 10uF capacitor is needed	
VD	Amp drain bias, external 150pF, 1000pF capacitor is needed	
GND	Bottom must connect to RF and DC ground	