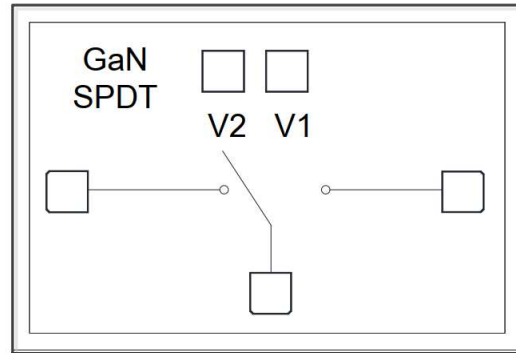


### Performance

- Frequency: 0.1~6GHz
- Insertion loss: 1.0dB
- Isolation: 45dB
- Input P-0.3: 53dBm
- Input/Output VSWR: 1.5:1
- Switching Time: 20ns
- Control Mode: 0/-40V
- Voltage Control, SPDT Reflective
- Chip size: 2.2\*1.1\*0.08mm

### Function Diagram



### Electrical Specifications (Ta=+25°C, V1~V2=0V/-40V, F=0.1~6GHz)

Symbol	Parameter	Min.	Typ.	Max.	Unit
Li	Insertion Loss	-	1.0	-	dB
ISO	Isolation	-	45	-	dB
VSWR	Input / Output VSWR	-	1.5	-	-

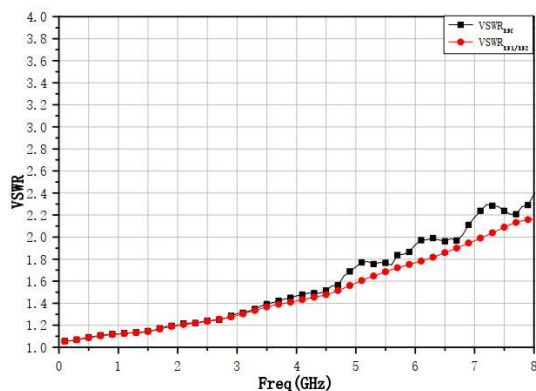
### Absolute Maximum Ratings (Ta=+25°C)

Symbol	Parameter	Value	Notes
V1,2	Control Voltage	-60V	
Pcw	Input Continuous Wave Power	54dBm	
Tch	Channel Temperature	225°C	
T	Sintering Temperature	310°C	30s, N2 protection
Tstg	Storage Temperature	-65~150°C	

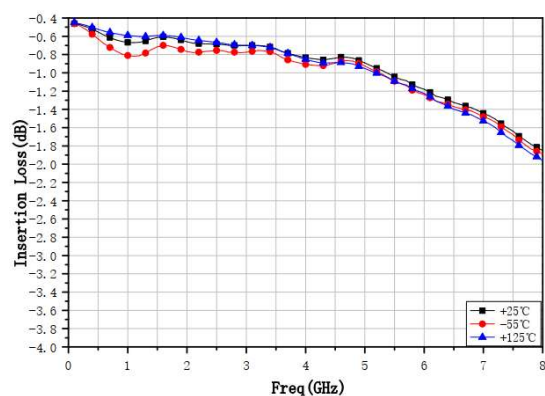
Exceed any of above listed ratings may cause permanent damage.

### Test Curves (Ta=+25°C, (V1,2= -40V))

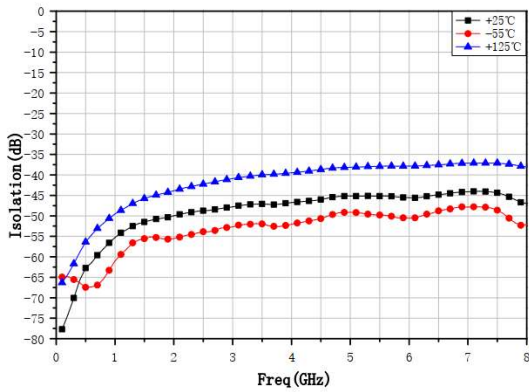
VSWR



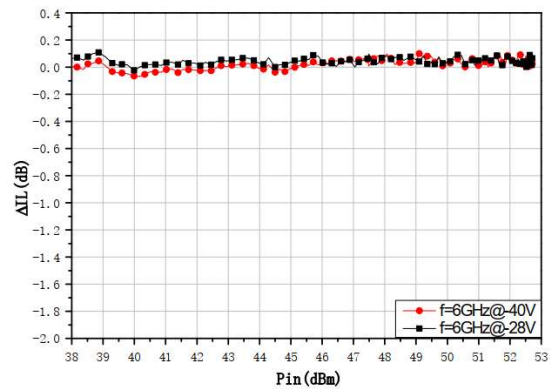
Insertion Loss @ Different temperature



Isolation @ Different Temperature



Input Power (Y axis is normalized value of I.L)



Outline Size (μm)	Assembly Diagram

Note: Recommended single wire length for RF port is >0.8mm, <1.2mm.

Dual wires length is >1mm, <1.5mm.

**PIN Definition**

PIN	Description
RF1、RF2	RF ports, 50Ω, no block capacitor
RFc	RF Common, 50Ω, no block capacitor
V1、V2	Control Ports
GND	Bottom must be grounded

**Truth Table**

V1	V2	RF <sub>c</sub> →RF <sub>1</sub>	RF <sub>c</sub> →RF <sub>2</sub>
1	0	OFF	ON
0	1	ON	OFF

Note: 1. Low level "0" is -28V~-40V, High level "1" is 0V~0.5V

2. Performance is same under condition of -28V ~ -40V