

### Features

- Wide Band
- Low Insertion Loss
- High Directivity
- Stable Performance
- Customization Available Upon Request

### Applications

- Radar Systems
- Communication Systems
- Receivers Systems



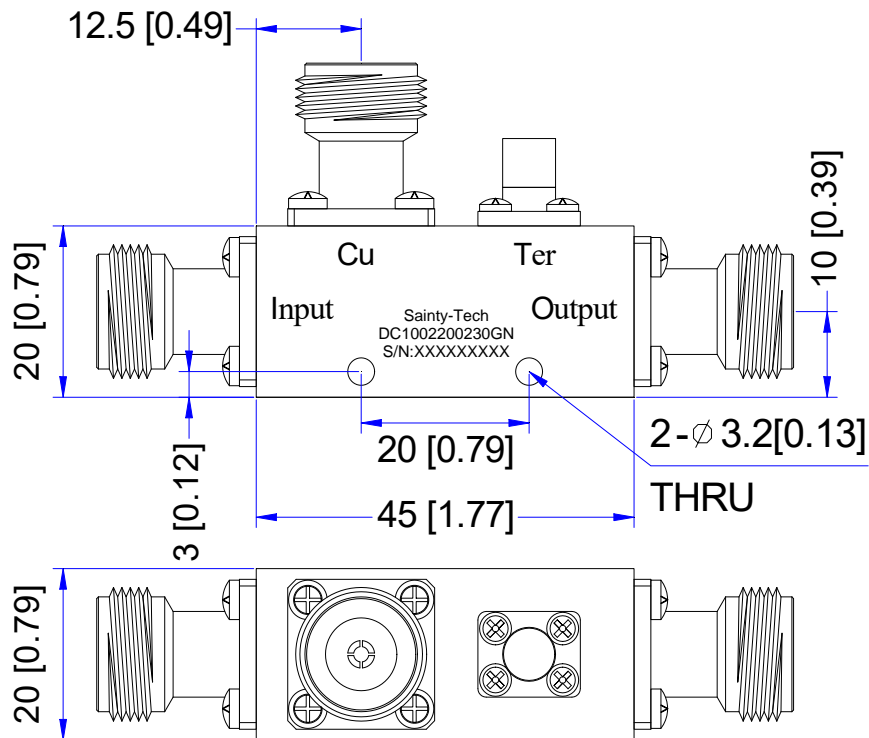
### Electrical Specifications (TA=25°C)

Parameter	Min.	Typ.	Max.	Unit
Frequency		2.2-2.3		GHz
Insertion Loss			0.4	dB
Normal Coupling		10		dB
Coupling Accuracy			±1.0	dB
Frequency Sensitivity			±0.5	dB
Directivity	20			dB
VSWR			1.25	-
Power Handling			50	W
Impedance		50		Ω
Input / Output Connectors		N-Female		
Material		Aluminum		
Weight		-g		
Package Sealing		Black Color (Standard)		

### Environmental Specifications

Operating Temperature	-45 to +85°C
Storage Temperature	-55 to +125°C

Outline Drawing



Unit: mm [inches]

Outline Tolerance:  $\pm 0.25$ [0.01]

**Note**

1. The product is designed to meet environmental ratings but not tested. If you need to test environmental condition, please contact our sales department.
2. Sainty-Tech Communications Limited reserves the right to change the above information without notice.