

Features

- Wide Band
- Low Insertion Loss
- High Directivity
- Stable Performance
- Customization Available Upon Request

Applications

- Radar Systems
- Communication Systems
- Receivers Systems



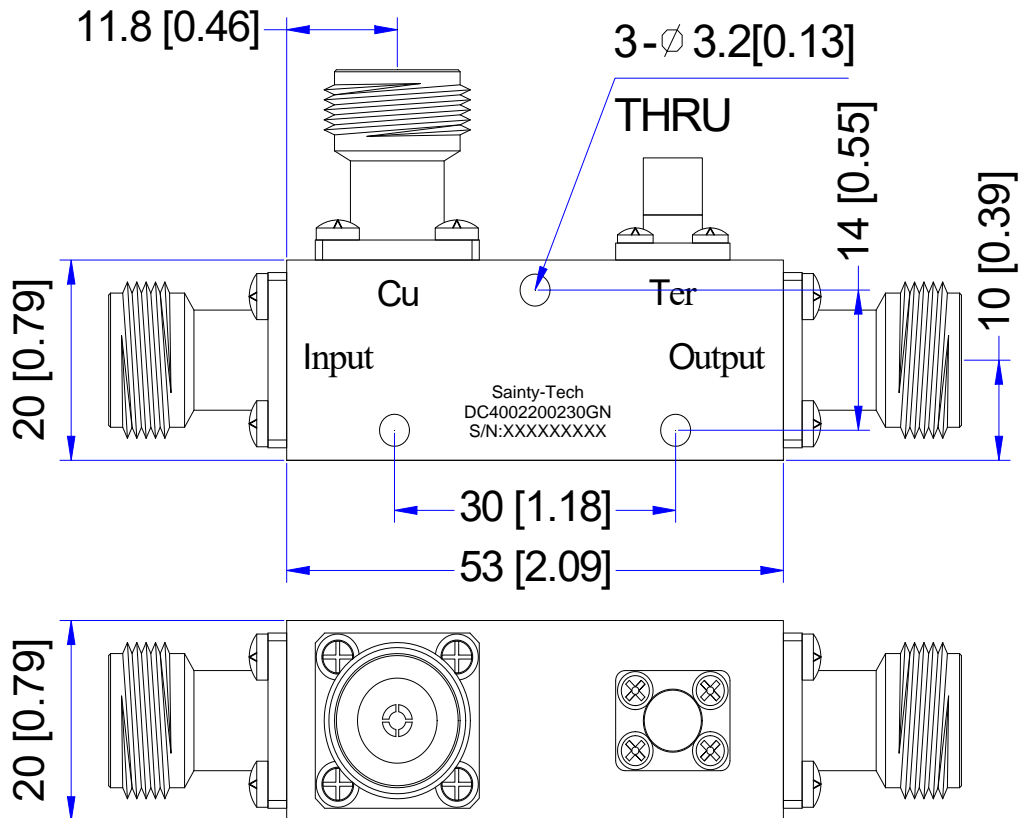
Electrical Specifications (TA=25°C)

Parameter	Min.	Typ.	Max.	Unit
Frequency		2.2-2.3		GHz
Insertion Loss		0.15	0.4	dB
Normal Coupling		40		dB
Coupling Accuracy			±1.0	dB
Frequency Sensitivity			±0.7	dB
Directivity	15	20		dB
VSWR		1.15	1.3	-
Power Handling			50	W
Impedance	50			Ω
Input / Output Connectors	N-Female			
Material	Aluminum			
Weight	-g			
Package Sealing	Black Color (Standard)			

Environmental Specifications

Operating Temperature	-45 to +85°C
Storage Temperature	-55 to +125°C

Outline Drawing



Unit: mm [inches]

Outline Tolerance: ± 0.25 [0.01]

Note

1. The product is designed to meet environmental ratings but not tested. If you need to test environmental condition, please contact our sales department.
2. Sainty-Tech Communications Limited reserves the right to change the above information without notice.