

**Features**

- Ultra Wide Band
- Low Insertion Loss
- High Directivity
- Stable Performance
- Customization Available Upon Request

**Applications**

- Radar Systems
- Communication Systems
- Receivers Systems



**Electrical Specifications (TA=25°C)**

Parameter	Min.	Typ.	Max.	Unit
Frequency		1-26.5		GHz
Insertion Loss		1.4	1.6	dB
Normal Coupling		10		dB
Coupling Accuracy		±0.4	±0.7	dB
Frequency Sensitivity		±0.7	±1.0	dB
Directivity	13	15		dB
VSWR		1.4	1.6	-
Power Handling		20		W
Impedance	50			Ω
Input / Output Connectors	SMA-Female			
Material	Aluminum			
Weight	44.2g			
Package Sealing	Black Color (Standard)			

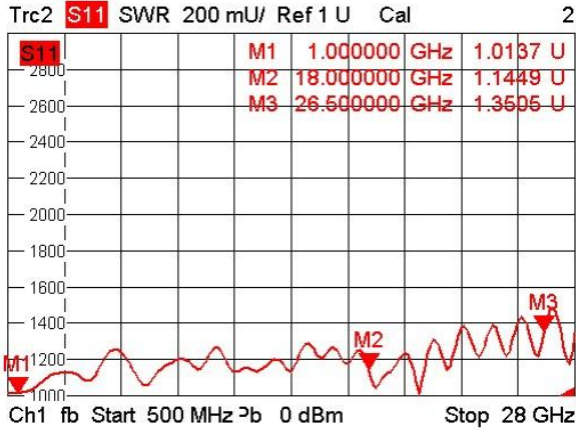
**Environmental Specifications**

Operating Temperature	-45 to +85°C
Storage Temperature	-55 to +125°C

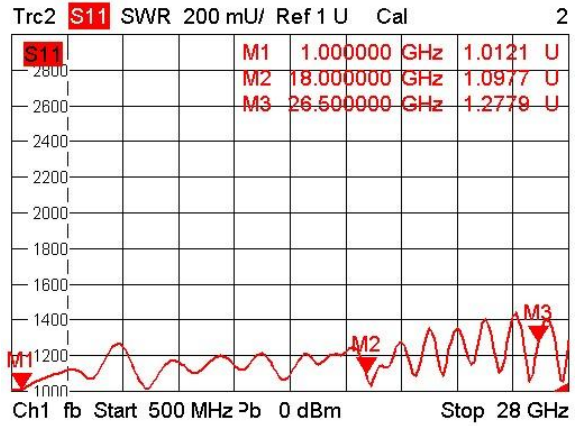


Test Curves

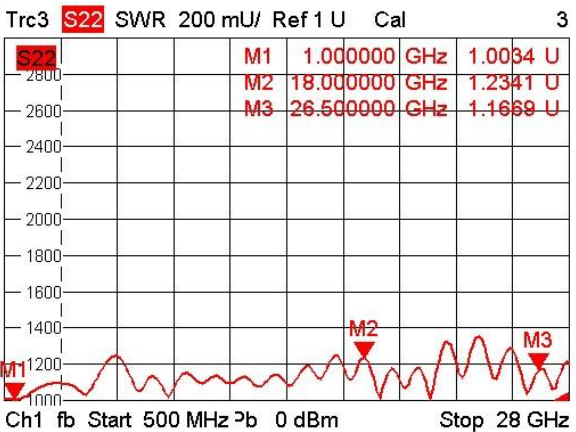
Input VSWR



Output VSWR



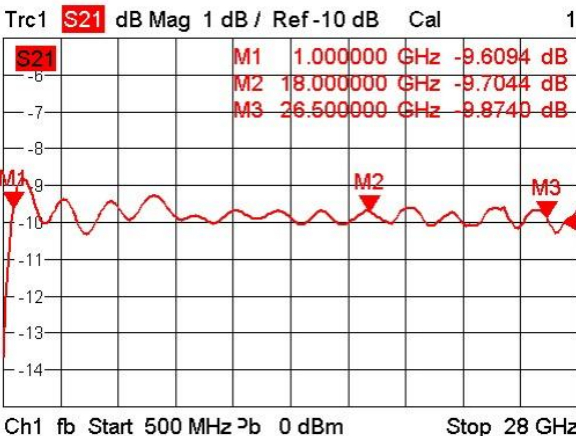
Coupling-Port VSWR



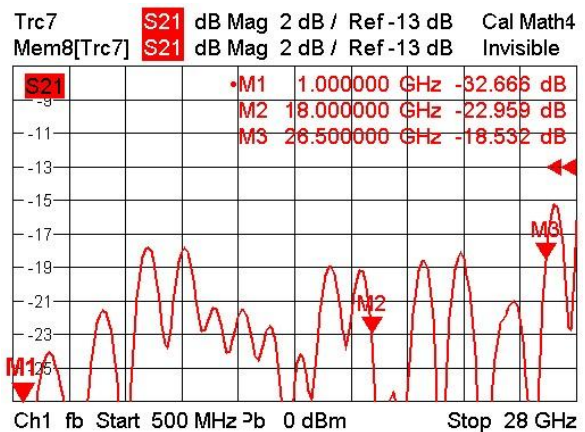
Insertion Loss



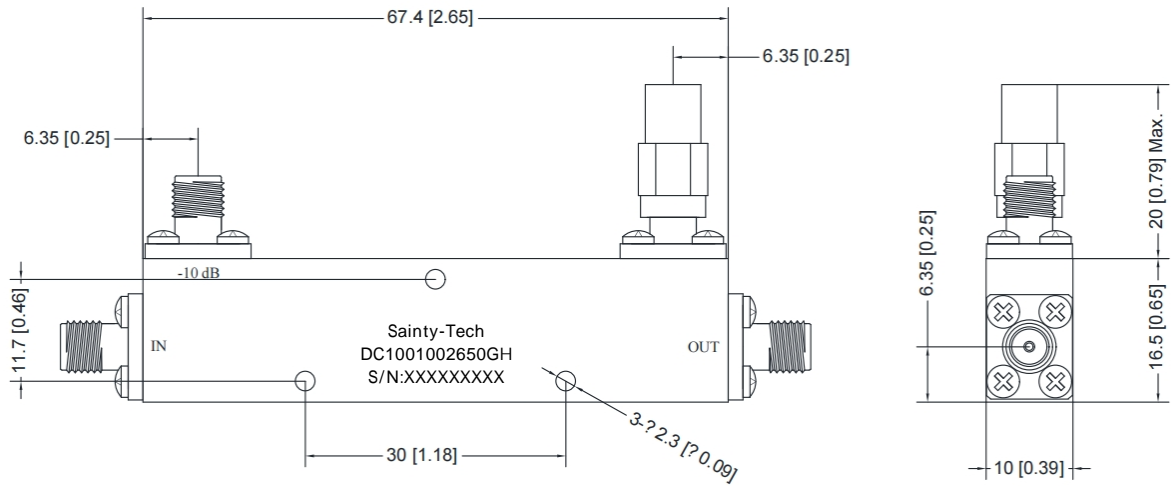
Coupling



Directivity



Outline Drawing



Unit: mm [inches]

Outline Tolerance:  $\pm 0.25$ [0.01]

**Note**

1. The product is designed to meet environmental ratings but not tested. If you need to test environmental condition, please contact our sales department.
2. Sainty-Tech Communications Limited reserves the right to change the above information without notice.